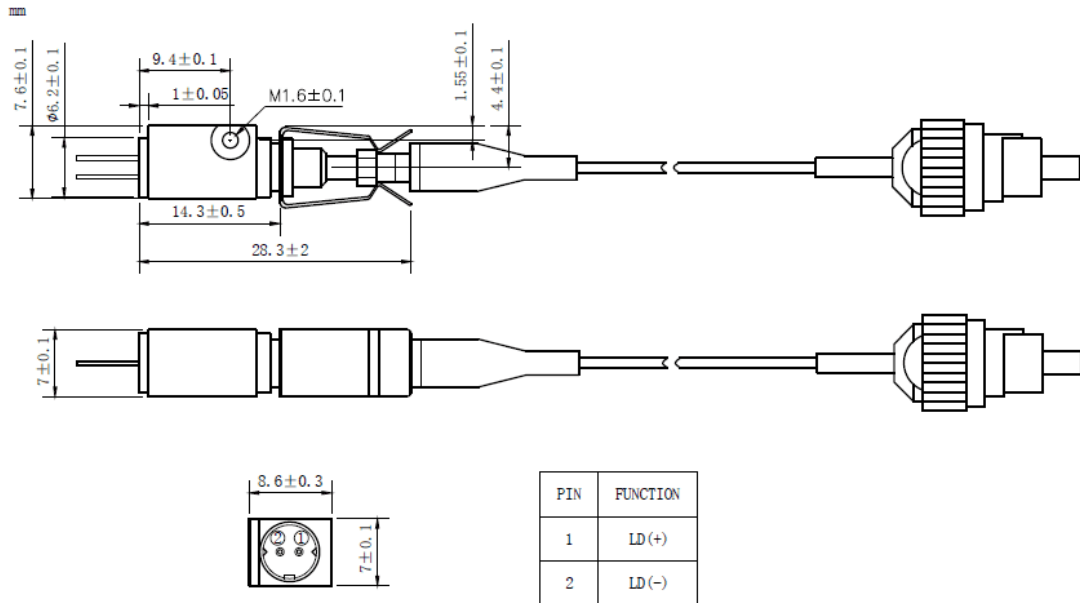


**405nm 200mW Fiber Coupled Diode Laser with MM Fiber | 50um UV Fiber**
**405nm 200mW Multi-mode Pigtailed Laser Diode Module | Coaxial Package | Violet LD Module**
**WSLP-405-200m-50M**
**Wavespectrum Laser Group**
**www.wavespectrum-laser.com**

405nm Pigtailed Diode Laser		200mW/MM Fiber		en.wavespectrum-laser.com.cn	
PARAMETER	SYMBOL	VALUE		UNIT	
Reverse Voltage	$V_r$	2.0		V	
Operating Temperature	$T_{op}$	0 ~ +50		°C	
Storage Temperature	$T_{stg}$	-40 ~ +85		°C	
Lead soldering temperature (10 sec.)	$T_{is}$	260		°C	
<b>Features:</b> <ul style="list-style-type: none"> <li>● 405nm</li> <li>● CW Mode</li> <li>● Coaxial Package</li> <li>● Fiber Receptacle Optional</li> </ul>					
<b>Applications:</b> <ul style="list-style-type: none"> <li>● Medical Laser Treatment</li> <li>● Printing</li> <li>● Others</li> </ul>					
<b>Specifications</b>		<b>WSLP-405-200m-50M</b>			
		Min	Type	Max	
Center Wavelength@25°C		±5nm	405nm	±10nm	
Spectral Width (FWHM)		----	2.0nm	----	
Output Power		----	200mW	----	
Recommend Operating Temperature		25°C			
Fiber Type		UV Multi-mode Fiber			
Fiber Core		50um			
Threshold Current (Typ.)		----	130mA	190mA	
Operating Current (Typ.)		----	320mA	350mA	
Operating Voltage		----	4.5V	5.5V	
Fiber Length		80cm			
Fiber Connector		FC/SC/SMA905			
Package Style		Coaxial			



**Package View:**



Electrically shorten LD module and store in non-extreme conditions.

Suggest using the constant current power supply.

