
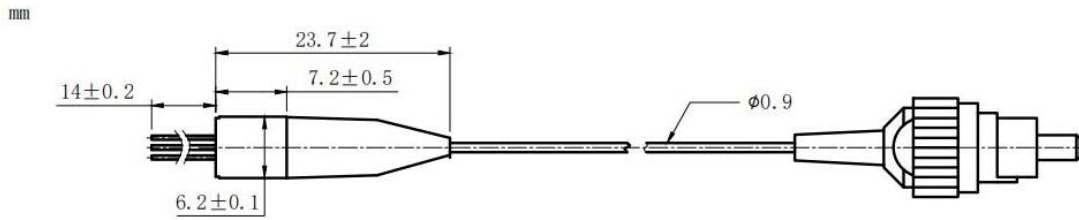
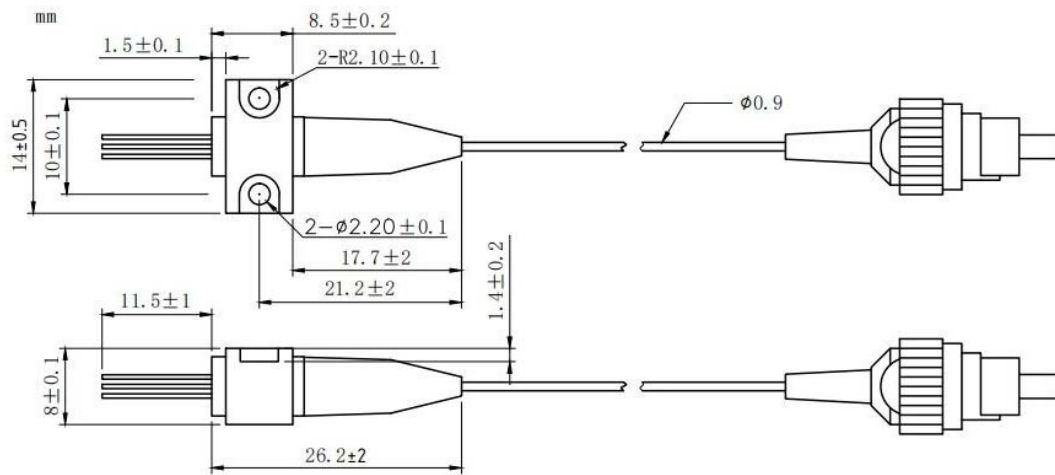
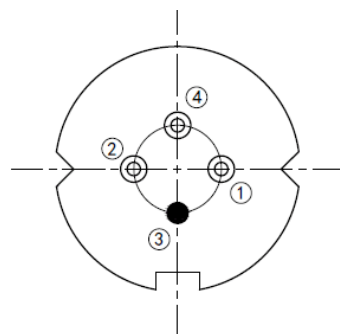


1310nm 5mW DFB Coaxial Pigtailed Laser Diode with Single Mode Fiber (9um Fiber Core)
1310nm SM Fiber Coupled LD with Single Mode Fiber (SM Fiber)
WSLP-1310-005m-9-DFB
Wavespectrum Laser Group
en.wavespectrum-laser.com.cn

PARAMETER	SYMBOL	VALUE	UNIT	
LD Reverse Voltage	V_r	2.0	V	
PD Reverse Voltage	$V_{r(PD)}$	15	V	
Operating Temperature	T_{op}	-20 ~ +50	°C	
Storage Temperature	T_{stg}	-40 ~ +100	°C	
Lead soldering temperature (10 sec.)	T_{is}	260	°C	
Features: <ul style="list-style-type: none"> ● 1310nm ● DFB Laser Diode ● Built-in Photodiodes ● 9um SM Fiber ● Isolation Optional ● Coaxial or B84 Package 				
Applications: <ul style="list-style-type: none"> ● Test Equipments ● Optical Transmitter of Analog Signal ● Optical Transmitter of Data Signal 				
Specifications		WSLP-1310-005m-9-DFB		
		Min	Type	Max
Center Wavelength@25°C		±3nm	1310nm	±10nm
Laser Type		DFB		
Output Power		----	5mW	----
Fiber Core		9um		
Threshold Current (Typ.) I_{th}		----	5mA	15mA
Operating Current		----	60mA	70mA
Operating Voltage		----	1.4V	1.7V
Spectral Width(FWHM)		----	----	2nm
SMSR		----	35dB	----
Monitor Current		0.1mA	----	----
PD Capacitance		----	10pF	20pF
PD Dark Current		----	----	0.1uA
Package Style		Coaxial or B84		
Recommended Operation Temperature		25°C		
Connector		FC/SC/SMA905		



Coaxial Package View: (Part Number: WSLP-1310-005m-9-DFB)

B84 Package View: (Part Number: WSLP-1310-005m-9-B-DFB)

Pin Bottom View (A-Type)


PIN 1	PD(+)
PIN 2	LD(-)
PIN 3	LD(+), CASE
PIN 4	PD(-)



Electrically shorten LD module and store in non-extreme conditions.
Suggest using the constant current power supply.

