
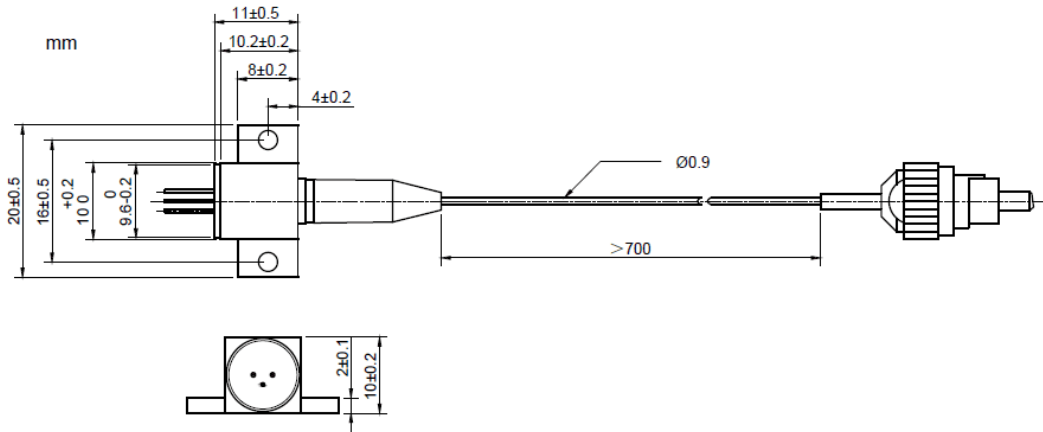
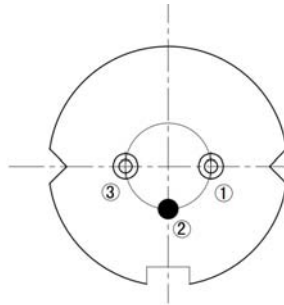


1060nm~1064nm 30mW~40mW SM Coaxial Pigtailed Laser Diode with 6um Single Mode Fiber
1060nm |30mW | SM Fiber Coupled Diode Laser Module | Built-in PD |SMF LD Module
WSLP-1060-030m-4-PD
Wavespectrum Laser Group
www.wavespectrum-laser.com

1060nm Pigtailed Diode Laser		30mW/SMF		en.wavespectrum-laser.com.cn	
PARAMETER	SYMBOL	VALUE		UNIT	
Reverse Voltage	V_r	2.0		V	
Operating Temperature	T_{op}	-10~+50		°C	
Storage Temperature	T_{stg}	-40~+85		°C	
Lead soldering temperature (10 sec.)	T_{is}	260		°C	
Features: <ul style="list-style-type: none"> ● 1060nm ● 6um Single Mode Fiber ● B15 Package ● Built-in PD 					
Applications: <ul style="list-style-type: none"> ● Medical Laser Treatment ● Sensor ● Others 					
Specifications	WSLP-1060-030m-4-PD				
	Min	Type	Max		
Center Wavelength@25°C	±10nm	1060nm	±20nm		
Recommended Operating Temperature	25°C				
Output Power	----	30mW	----		
Fiber Type	Single Mode Fiber				
Fiber Core	6um				
Monitor Current	----	0.2mA	----		
PD Reverse Voltage	----	----	30V		
Fiber Connector	FC/SC/SMA905				
Fiber Length	----	80cm	100cm		
Threshold Current (Typ.)	----	20mA	55mA		
Operating Current (Typ.)	----	240mA	260mA		
Operating Voltage	----	1.8V	2.5V		
Package Style	B15				
Photodiodes	Built-in				



B15 Package View:

PIN Bottom View:


1	LD(-)
2	LD(+)&PD(-)
3	PD(+)

Electrically shorten LD module and store in non-extreme conditions.

Suggest using the constant current power supply.

