

### 1064nm 50mW Coaxial Pigtailed Diode Laser with Polarization Maintaining Fiber

1060nm~1064nm | 50mW | PM Fiber Coupled Laser Diode Module | Built-in PD | SMF LD Module

WSLP-1064-050m-PM-PD

Wavespectrum Laser Group

www.wavespectrum-laser.com

1064nm Pigtailed Diode Laser	50mW/PMF	en.wavespectrum-laser.com.cn
------------------------------	----------	------------------------------

PARAMETER	SYMBOL	VALUE	UNIT
Reverse Voltage	$V_r$	2.0	V
Operating Temperature	$T_{op}$	-10~+50	°C
Storage Temperature	$T_{stg}$	-40~+85	°C
Lead soldering temperature (10 sec.)	$T_{is}$	260	°C

#### Features:

- 1064nm
- PM Fiber
- B15 Package
- Built-in PD

#### Applications:

- Medical Laser Treatment
- Sensor
- Others



#### Specifications

#### WSLP-1064-050m-PM-PD

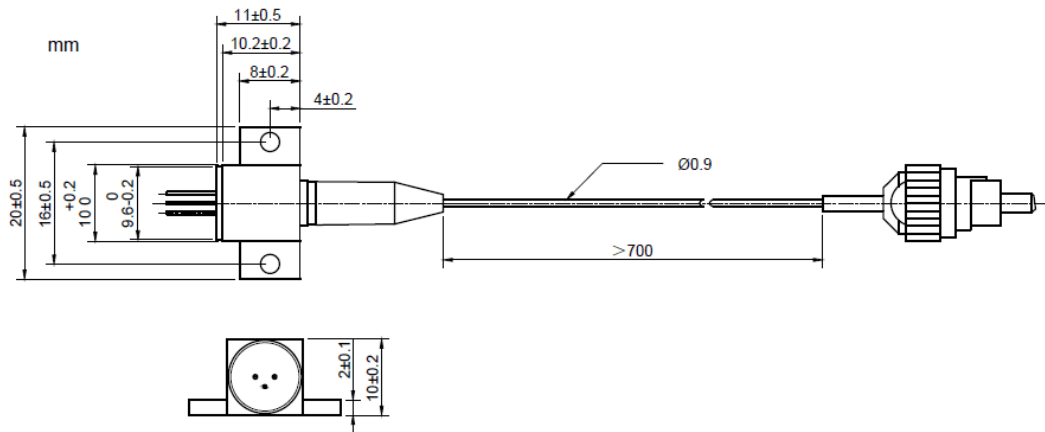
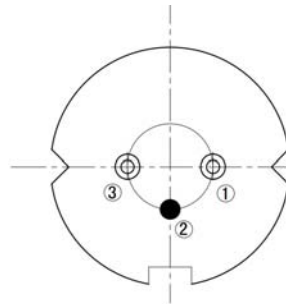
	Min	Type	Max
Center Wavelength@25°C	1064nm±15nm		
Recommended Operating Temperature	25°C		
Output Power	----	50mW	----
Fiber Type	Polarization Maintaining Fiber		
Fiber Core	6um		
Polarization Extinction Ratio	13dB	15dB	----
Monitor Current	----	0.2mA	----
PD Reverse Voltage	----	----	30V
Fiber Connector	FC/APC		
Fiber Length	>80cm		
Threshold Current (Typ.)	----	60mA	120mA
Operating Current (Typ.)	----	300mA	330mA
Operating Voltage	----	1.8V	2.5V
Package Style	B15		
Photodiodes	Built-in		

High Polarization Extinction Ratio (PER) Version Laser Module is also available, please contact us.

www.wavespectrum-laser.com

sales@wavespectrum-laser.com



**B15 Package View:**

**PIN Bottom View:**


1	LD(-)
2	LD(+)&PD(-)
3	PD(+)

Electrically shorten LD module and store in non-extreme conditions.  
 Suggest using the constant current power supply.

