
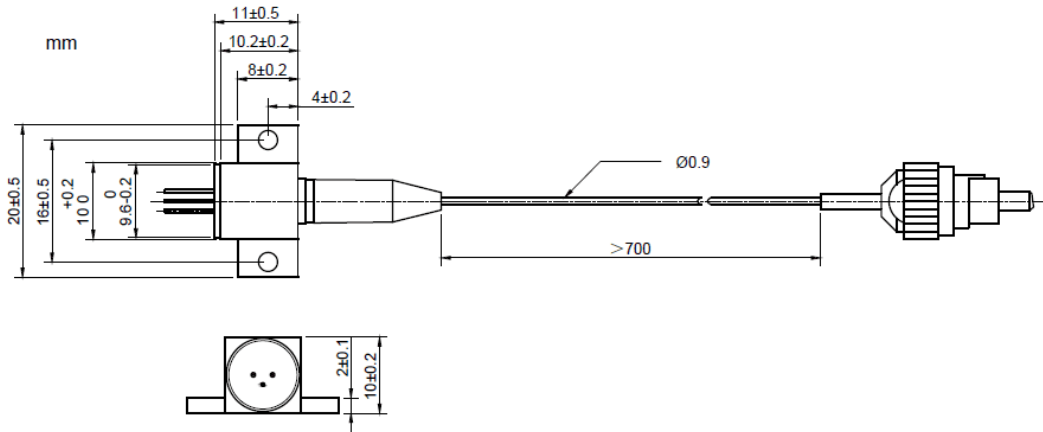
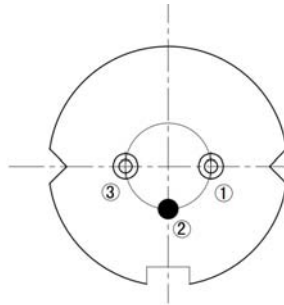


**1060nm~1064nm 50mW~60mW SM Coaxial Pigtailed Laser Diode with 6um Single Mode Fiber**
**1064nm |50mW | SM Fiber Coupled Diode Laser Module | Built-in PD |SMF LD Module**
**WSLP-1064-050m-4-PD**
**Wavespectrum Laser Group**
**www.wavespectrum-laser.com**

1064nm Pigtailed Diode Laser		50mW/SMF		en.wavespectrum-laser.com.cn	
PARAMETER	SYMBOL	VALUE		UNIT	
Reverse Voltage	$V_r$	2.0		V	
Operating Temperature	$T_{op}$	-10~+50		°C	
Storage Temperature	$T_{stg}$	-40~+85		°C	
Lead soldering temperature (10 sec.)	$T_{is}$	260		°C	
<b>Features:</b> 1064nm 6um Single Mode Fiber B15 Package Built-in PD					
<b>Applications:</b> Medical Laser Treatment Sensor Others					
<b>Specifications</b>	<b>WSLP-1064-050m-4-PD</b>				
		Min	Type	Max	
Center Wavelength@25°C		1064nm±15nm			
Recommended Operating Temperature		25°C			
Output Power		----	50mW	----	
Fiber Type		Single Mode Fiber			
Fiber Core		6um			
Monitor Current		----	0.2mA	----	
PD Reverse Voltage		----	----	30V	
Fiber Connector		FC/SC/SMA905			
Fiber Length		>80cm			
Threshold Current (Typ.)		----	60mA	120mA	
Operating Current (Typ.)		----	300mA	330mA	
Operating Voltage		----	1.8V	2.5V	
Package Style		B15			
Photodiodes		Built-in			



**B15 Package View:**

**PIN Bottom View:**


1	LD(-)
2	LD(+)&PD(-)
3	PD(+)

Electrically shorten LD module and store in non-extreme conditions.  
 Suggest using the constant current power supply.

