


905nm~915nm 30mW SM Coaxial Pigtailed Laser Diode with SMF | Built-in Photodiode

905nm 30mW SM Fiber Coupled LD with Single Mode Fiber (SM Fiber) | With PD

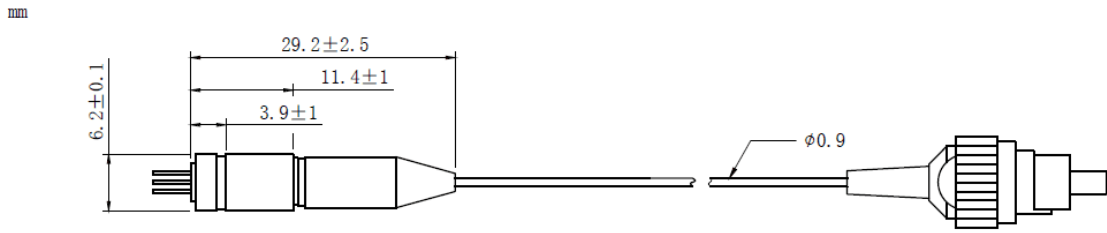
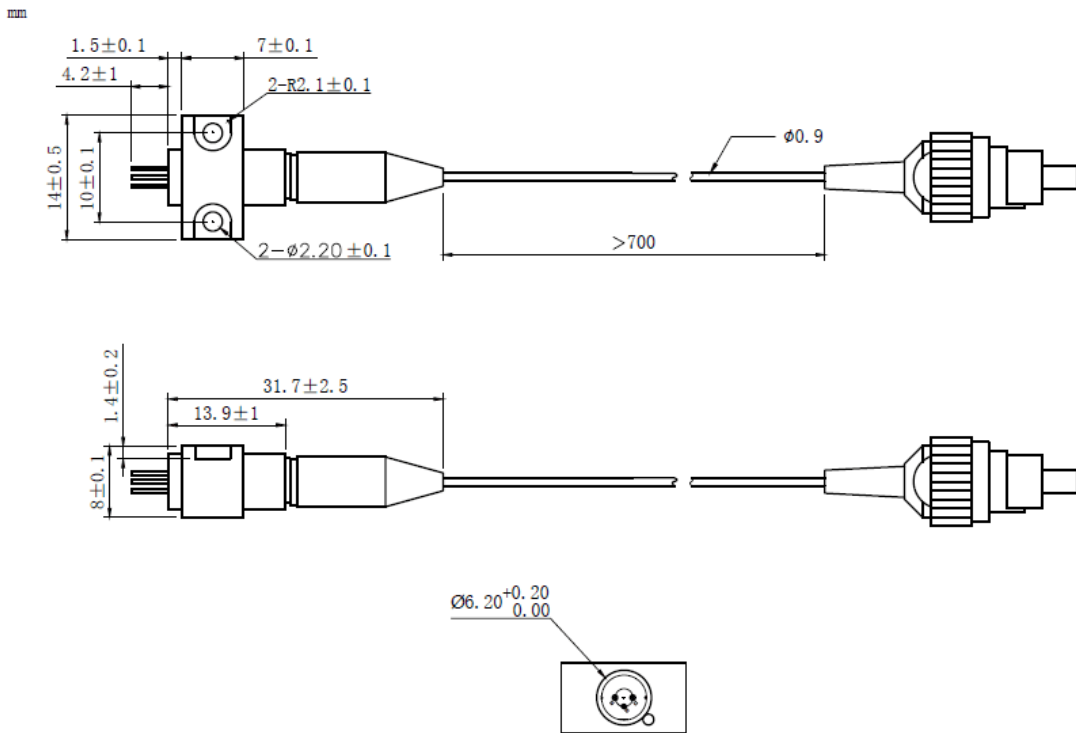
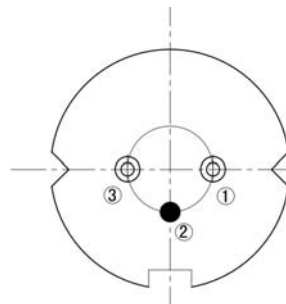
WSLP-905-030m-4-PD

Wavespectrum Laser Group

www.wavespectrum-laser.com

905nm Pigtailed Diode Laser		30mW/SM Fiber		en.wavespectrum-laser.com.cn	
PARAMETER	SYMBOL	VALUE	UNIT		
Reverse Voltage	V_r	2.0	V		
Operating Temperature	T_{op}	-10~+70	°C		
Storage Temperature	T_{stg}	-40~+85	°C		
Lead soldering temperature (10 sec.)	T_{is}	260	°C		
Features: <ul style="list-style-type: none"> ● 905nm ● With SM Fiber ● Coaxial or B82 Package ● Built-in PD 					
Applications: <ul style="list-style-type: none"> ● Medical Laser Treatment ● Sensor ● Others 					
Specifications	WSLP-905-030m-4-PD				
	Min	Type	Max		
Center Wavelength@25°C	905nm±10nm				
Recommended Operating Temperature	25°C				
Output Power	----	30mW	----		
Fiber Type	Single Mode Fiber				
Fiber Core	5um				
Monitor Current	----	0.3mA	----		
PD Reverse Voltage	----	----	30V		
Fiber Connector	FC/SC/SMA905				
Fiber Length	>80cm				
Threshold Current (Typ.)	----	25mA	60mA		
Operating Current (Typ.)	----	150mA	170mA		
Operating Voltage	----	1.9V	2.4V		
Package Style	Coaxial or B82				
Photodiodes	Built-in				



Coaxial Package View: (Part Number: WSLP-905-030m-4-PD)

B82 Package View: (Part Number: WSLP-905-030m-4-B-PD)

PIN Bottom View:


1	LD(-)
2	LD(+)& PD(-)
3	PD(+)



Electrically shorten LD module and store in non-extreme conditions.
Suggest using the constant current power supply.

