
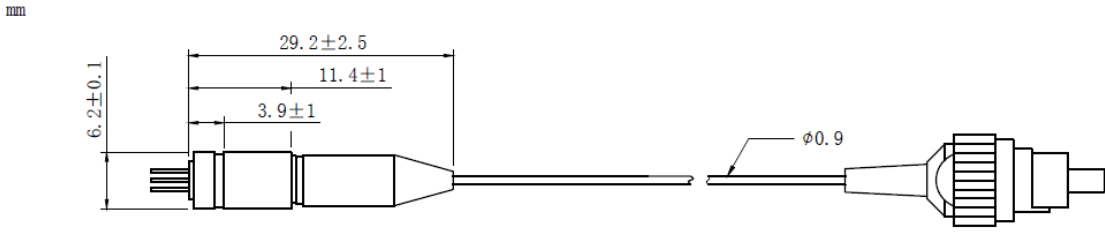


**880nm 2mW SM Coaxial Pigtailed Laser Diode with SMF | Built-in Photodiode | With Heat-sink Optional**
**870nm~880nm 1mW~2mW SM Fiber Coupled LD with Single Mode Fiber (SM Fiber) | With PD**
**WSLP-880-002m-4-PD**
**Wavespectrum Laser Group**
**www.wavespectrum-laser.com**

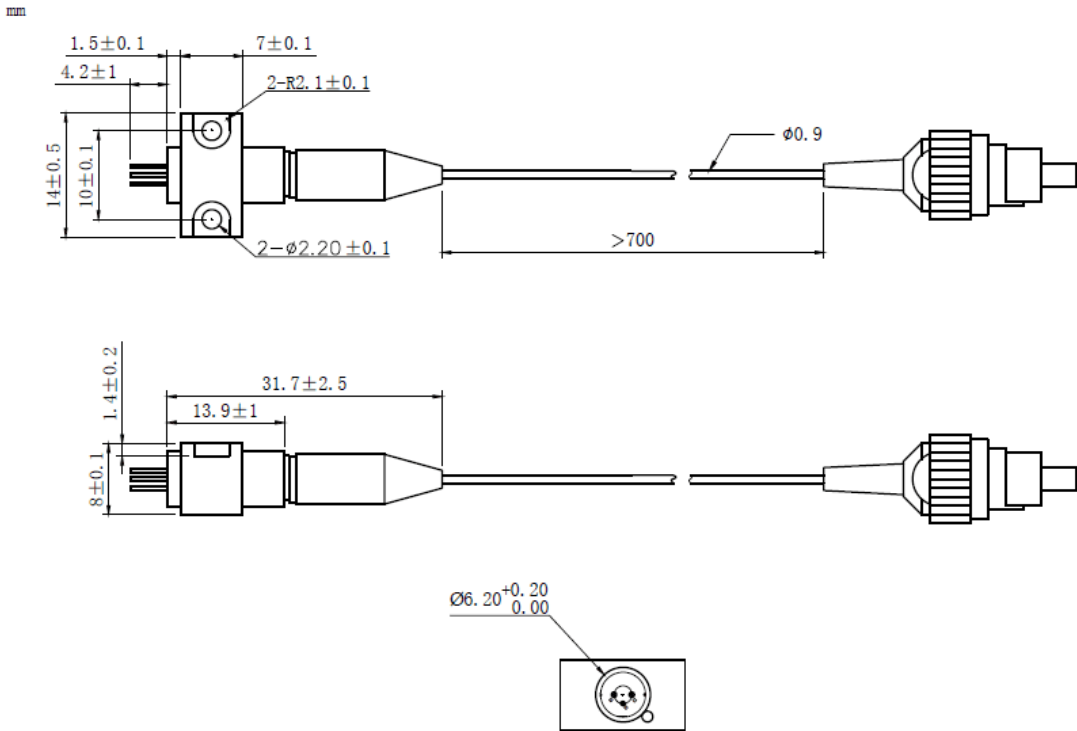
880nm Pigtailed Diode Laser		2mW/SM Fiber		en.wavespectrum-laser.com.cn	
PARAMETER	SYMBOL	VALUE		UNIT	
Reverse Voltage	$V_r$	2.0		V	
Operating Temperature	$T_{op}$	-10~+60		°C	
Storage Temperature	$T_{stg}$	-40~+85		°C	
Lead soldering temperature (10 sec.)	$T_{is}$	260		°C	
<b>Features:</b> <ul style="list-style-type: none"> <li>● 880nm</li> <li>● SM Fiber</li> <li>● Coaxial or B82 Package</li> <li>● Built-in PD</li> </ul>					
<b>Applications:</b> <ul style="list-style-type: none"> <li>● Medical Laser Treatment</li> <li>● Sensor</li> <li>● Others</li> </ul>					
<b>Specifications</b>	<b>WSLP-880-002m-4-PD</b>				
	Min	Type	Max		
Center Wavelength@25°C	870nm	880nm	890nm		
Recommended Operating Temperature	25°C				
Output Power	1mW	2mW	----		
Fiber Type	Single Mode Fiber				
Fiber Core	5um				
Monitor Current	----	0.3mA	----		
PD Reverse Voltage	----	----	30V		
Fiber Connector	FC/SC/SMA905				
Fiber Length	>80cm				
Threshold Current (Typ.)	----	9mA	16mA		
Operating Current (Typ.)	----	20mA	25mA		
Operating Voltage	----	2.0V	2.6V		
Package Style	Coaxial or B82				
Photodiodes	Built-in				



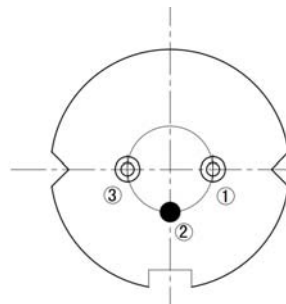
**Coaxial Package View: (Part Number: WSLP-880-002m-4-PD)**



**B82 Package View: (Part Number: WSLP-880-002m-4-B-PD)**



**PIN Bottom View:**



1	LD(-)
2	LD(+)&PD(-)
3	PD(+)



Electrically shorten LD module and store in non-extreme conditions.  
Suggest using the constant current power supply.

