


785nm 50mW SM Pigtailed Laser diode Module with Coaxial Package| Built-in PD| Heat-sink Optional

780nm~785nm 50mW Single Mode Fiber Coupled Diode Laser Module | Infrared LD Module

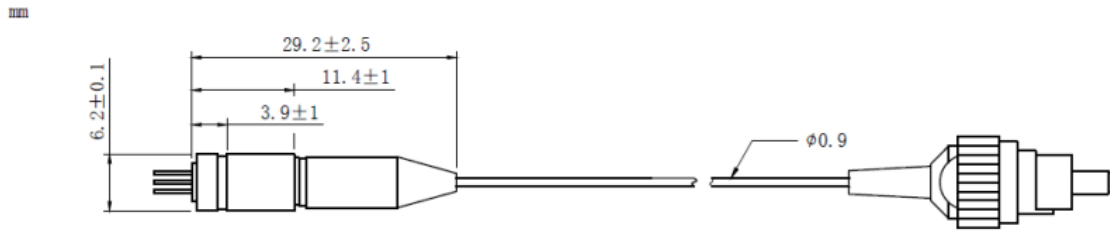
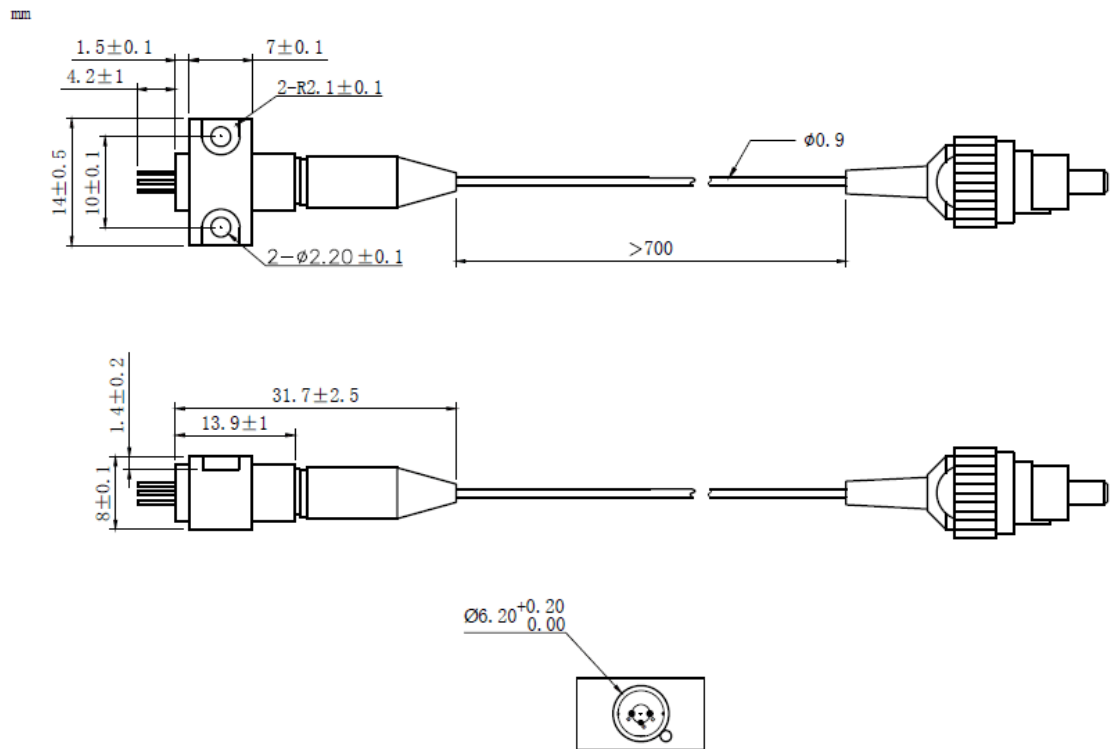
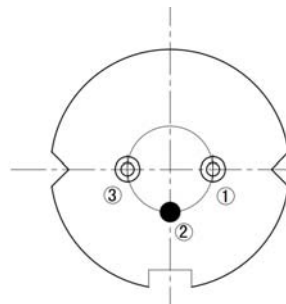
WSLP-785-050m-4-PD

Wavespectrum Laser Group

www.wavespectrum-laser.com

785nm Pigtailed Diode Laser		50mW/SM Fiber		en.wavespectrum-laser.com.cn	
PARAMETER	SYMBOL	VALUE		UNIT	
Reverse Voltage	$V_r$	2.0		V	
Operating Temperature	$T_{op}$	-10~+60		°C	
Storage Temperature	$T_{stg}$	-40~+85		°C	
Lead soldering temperature (10 sec.)	$T_{is}$	260		°C	
<b>Features:</b> <ul style="list-style-type: none"> <li>● 785nm</li> <li>● SM Fiber</li> <li>● Coaxial or B82 Package</li> <li>● Built-in PD</li> </ul>					
<b>Applications:</b> <ul style="list-style-type: none"> <li>● Medical Laser Treatment</li> <li>● Others</li> </ul>					
<b>Specifications</b>		<b>WSLP-785-050m-4-PD</b>			
		Min	Type	Max	
Center Wavelength@25°C		±5nm	785nm	±10nm	
Recommend Operating Temperature		25°C			
Output Power		----	50mW	----	
Fiber Type		Single Mode Fiber			
Fiber Core		5um			
Monitor Current		----	0.3mA	----	
PD Reverse Voltage		----	----	30V	
Fiber Connector		FC/SC/SMA905			
Fiber Length		----	80cm	100cm	
Threshold Current (Typ.)		----	40mA	60mA	
Operating Current (Typ.)		----	130mA	150mA	
Operating Voltage		----	2.3V	2.7V	
Package Style		Coaxial or B82			
PD		Built-in			



**Coaxial Package View: (Part Number: WSLP-785-050m-4-PD)**

**B82 Package View: (Part Number: WSLP-785-050m-4-B-PD)**

**PIN Bottom View:**


<b>1</b>	<b>LD(-)</b>
<b>2</b>	<b>LD(+)&amp;PD(-)</b>
<b>3</b>	<b>PD(+)</b>



Electrically shorten LD module and store in non-extreme conditions.  
Suggest using the constant current power supply.

