


635nm 10mW PM Fiber Coupled Laser Diode with Coaxial Package | Red Laser Diode
635nm~638nm 10mW Coaxial Pigtailed LD with Polarization Maintaining Fiber (SM Fiber)

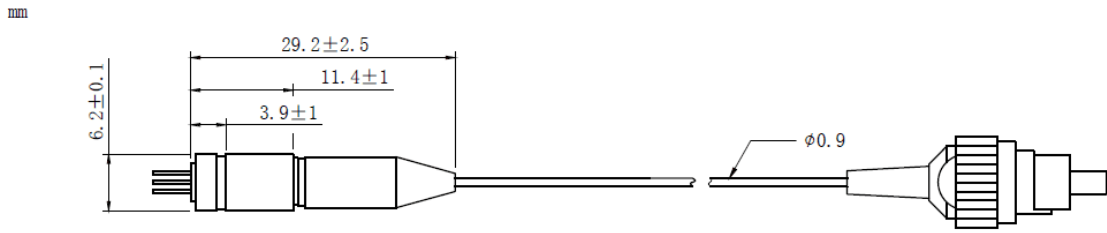
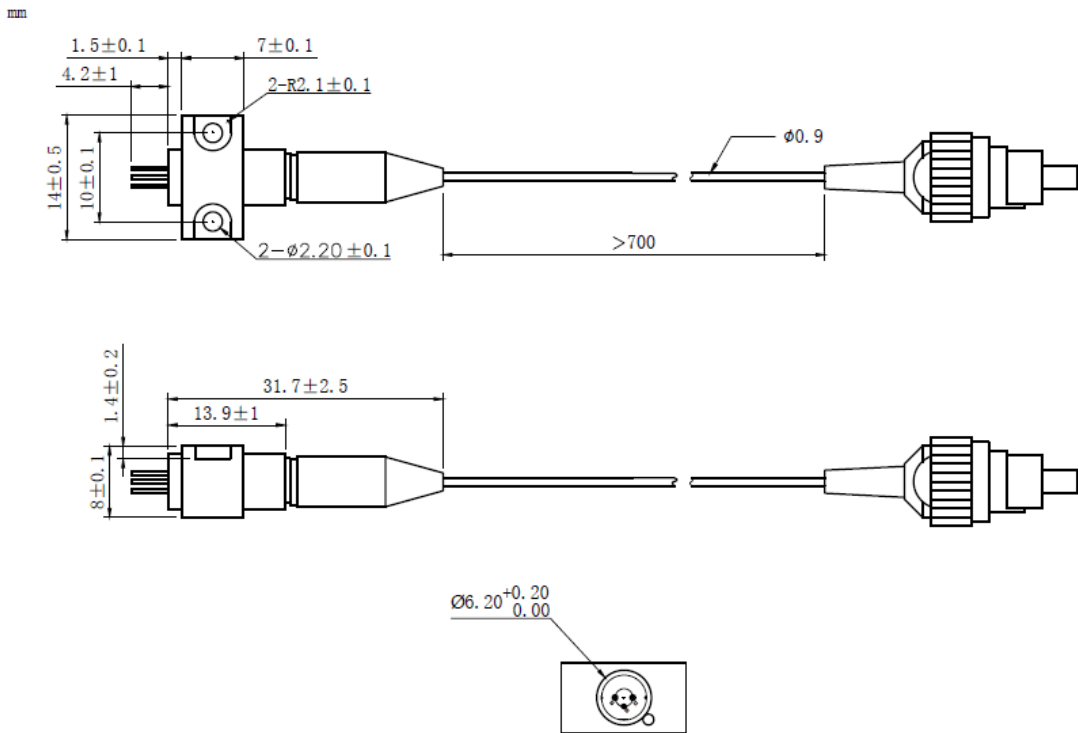
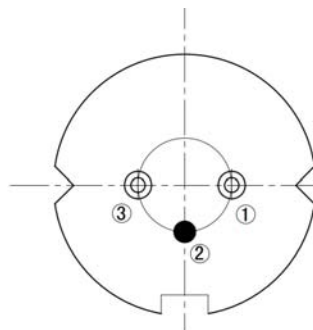
WSLP-635-010m-PM-PD

Wavespectrum Laser Group

www.wavespectrum-laser.com

635nm Pigtailed Diode Laser		10mW/PM Fiber		en.wavespectrum-laser.com.cn	
PARAMETER	SYMBOL	VALUE	UNIT		
Reverse Voltage	V_r	2.0	V		
Operating Temperature	T_{op}	-10~+50	°C		
Storage Temperature	T_{stg}	-40~+85	°C		
Lead soldering temperature (10 sec.)	T_{is}	260	°C		
Features: <ul style="list-style-type: none"> 638nm PM Fiber High Reliability High Polarization Extinction Ratio 					
Applications: <ul style="list-style-type: none"> Biological Instruments Analytical Equipment Others 					
Specifications	WSLP-635-010m-PM-PD				
	Min	Type	Max		
Center Wavelength@25°C	638nm±10nm				
Recommended work Temperature	25°C				
Output Power	----	10mW	----		
Fiber Type	Polarization Maintaining Fiber				
Fiber Core	4um				
Polarization Extinction Ratio	13dB	15dB	----		
Monitor Current	----	0.2mA	----		
Fiber Connector	FC/APC				
Fiber Length	>80cm				
Threshold Current	----	45mA	65mA		
Operating Current	----	75mA	85mA		
Operating Voltage	----	2.5V	3.0V		
Package Style	Coaxial or B82				
High Polarization Extinction Ratio (PER) Version Laser Module is also available, please contact us.					



Coaxial Package View: (Part Number: WSLP-635-010m-PM-PD)

B82 Package View: (Part Number: WSLP-635-010m-PM-B-PD)

PIN Bottom View:


1	LD(-)
2	LD(+)&PD(-)
3	PD(+)



Electrically shorten LD module and store in non-extreme conditions.
Suggest using the constant current power supply.

