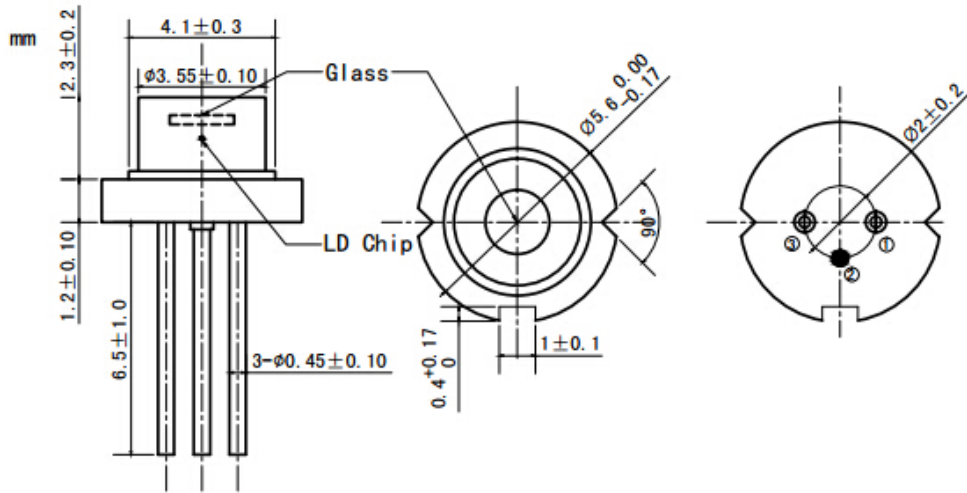


405nm 120mW Single Mode Laser Diode with Photodiode | SM LD |Violet LD |5.6mm Package| Built-in PD
405nm LD |100mW~120mW Output Power|TO18 Package | With Photodiode
WSLD-405-120m-1-PD
Wavespectrum Laser Group
www.wavespectrum-laser.com

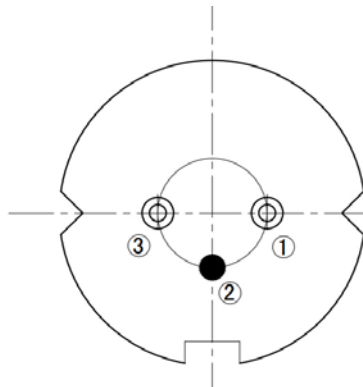
405nm Laser Diode		120mW/TO18		Wavespectrum Laser Group	
PARAMETER	SYMBOL	VALUE		UNIT	
Reverse Voltage	V_r	2.0		V	
Operating Temperature	T_{op}	-10~+70		°C	
Storage Temperature	T_{stg}	-40~+85		°C	
Lead soldering temperature (10 sec.)	T_{is}	260		°C	
Features: <ul style="list-style-type: none"> 405nm Single Mode Beam Built-in PD TO18 Package 					
Applications: <ul style="list-style-type: none"> Medical Laser Treatment Printing Others 					
Specifications		WSLD-405-120m-1-PD			
		Min	Type	Max	
Center Wavelength@25°C		±5nm	405nm	±10nm	
Spectral Width (FWHM)		2.0nm			
Output Power		100mW	120mW	----	
Emitter		Single			
Beam Divergence (FWHM)		15°± x 5° //	19.5°± x 9° //	24°± x 12° //	
Monitor Current			0.3mA		
PD Reverse Voltage				30V	
Recommended Operating Temperature		25°C			
Slope Efficiency		----	1.7mW/mA	----	
Threshold Current (Typ.)		----	40mA	70mA	
Operating Current (Typ.)		----	110mA	130mA	
Operating Voltage		----	5.0V	6.0V	
Package Style		TO18(5.6mm)			

Wavespectrum Laser Group
www.wavespectrum-laser.com.cn
sales@wavespectrum-laser.com.cn


TO18 Package View



PIN Bottom View:



1	LD(-)
2	LD(+) & PD(-)
3	PD(+)

Electrically shorten LD module and store in non-extreme conditions.
 Suggest using the constant current power supply.

