


**445nm~450nm 80mW Coaxial Pigtailed Diode Laser with 105um MMF| Blue LD Module**  
**450nm Fiber Coupled Laser Diode with 50um 60um 105um MM Fiber**

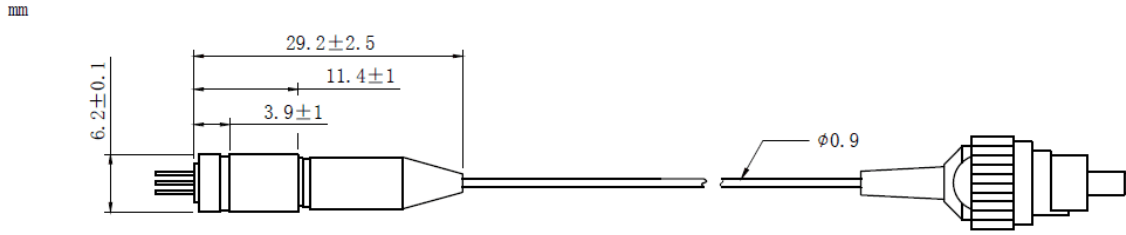
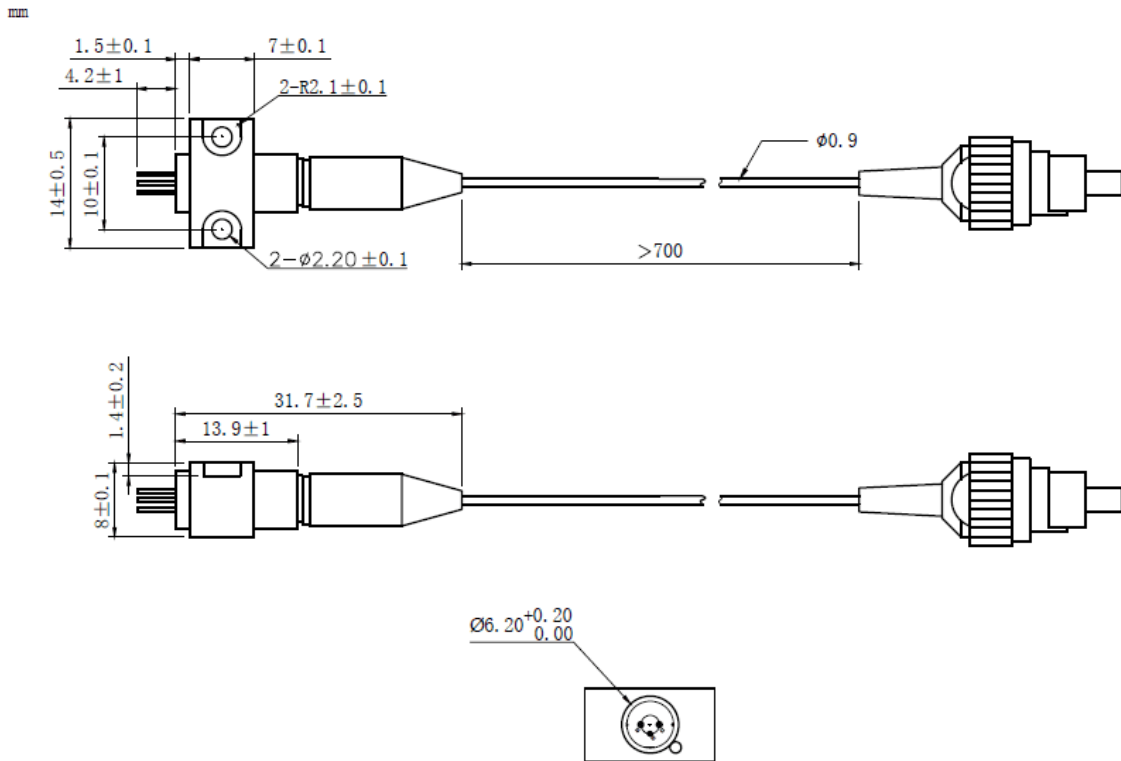
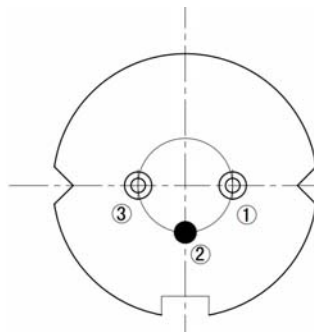
WSLP-445-080m-M

Wavespectrum Laser Group

[www.wavespectrum-laser.com](http://www.wavespectrum-laser.com)

445nm Pigtailed Diode Laser		80mW/MM Fiber		<a href="http://en.wavespectrum-laser.com.cn">en.wavespectrum-laser.com.cn</a>	
PARAMETER	SYMBOL	VALUE		UNIT	
Reverse Voltage	$V_r$	2.0		V	
Operating Temperature	$T_{op}$	-10 ~ +70		°C	
Storage Temperature	$T_{stg}$	-40 ~ +85		°C	
Lead soldering temperature (10 sec.)	$T_{is}$	260		°C	
<b>Features:</b> <ul style="list-style-type: none"> <li>● 450nm</li> <li>● Coaxial or B82 Package</li> <li>● High Stability</li> </ul>					
<b>Applications:</b> <ul style="list-style-type: none"> <li>● Medical Laser Treatment</li> <li>● Printing</li> <li>● Others</li> </ul>					
<b>Specifications</b>	<b>WSLP-445-080m-M</b>				
	Min	Type	Max		
Center Wavelength@25°C	440nm	450nm	460nm		
Spectral Width (FWHM)	----	2.0nm	----		
Output Power	----	80mW	----		
Fiber Type	Multi-mode Fiber				
Fiber Core	105um (50um,62.5um optional)				
Recommend Operating Temperature	25°C				
Monitor Current	----	----	----		
PD Reverse Voltage	----	----	----		
Fiber Connector	FC/SC/SMA905				
Fiber Length	>80cm				
Threshold Current (Typ.)	----	25mA	55mA		
Operating Current (Typ.)	----	120mA	140mA		
Operating Voltage	----	6.0V	7.0V		
Package Style	Coaxial or B82				



**Coaxial Package View: (Part Number: WSLP-445-080m-M)**

**B82 Package View: (Part Number: WSLP-445-080m-M-B)**

**PIN Bottom View:**


<b>1</b>	<b>LD(+)</b>
<b>2</b>	<b>GND</b>
<b>3</b>	<b>LD(-)</b>



Electrically shorten LD module and store in non-extreme conditions.  
Suggest using the constant current power supply.

