

1490nm 2W Fiber Coupled Diode Laser Module | Built-in PD Optional | TEC Cooler Optional
1490nm 2W | 2-PIN Package | 105um 200um 400um Fiber Core | High Power LD
WSLX-1490-002-M-H2
Wavespectrum Laser Group
en.wavespectrum-laser.com.cn

PARAMETER	SYMBOL	VALUE	UNIT
Reverse Voltage	V_r	2.0	V
Operating Temperature	T_{op}	+10 ~ +30	°C
Storage Temperature	T_{stg}	-20 ~ +80	°C
Lead soldering temperature (10 sec.)	T_{is}	260	°C

Features:

- 1490nm
- 2-Pin Package
- Built-in PD Optional
- Built-in TEC Cooling Optional

Applications:

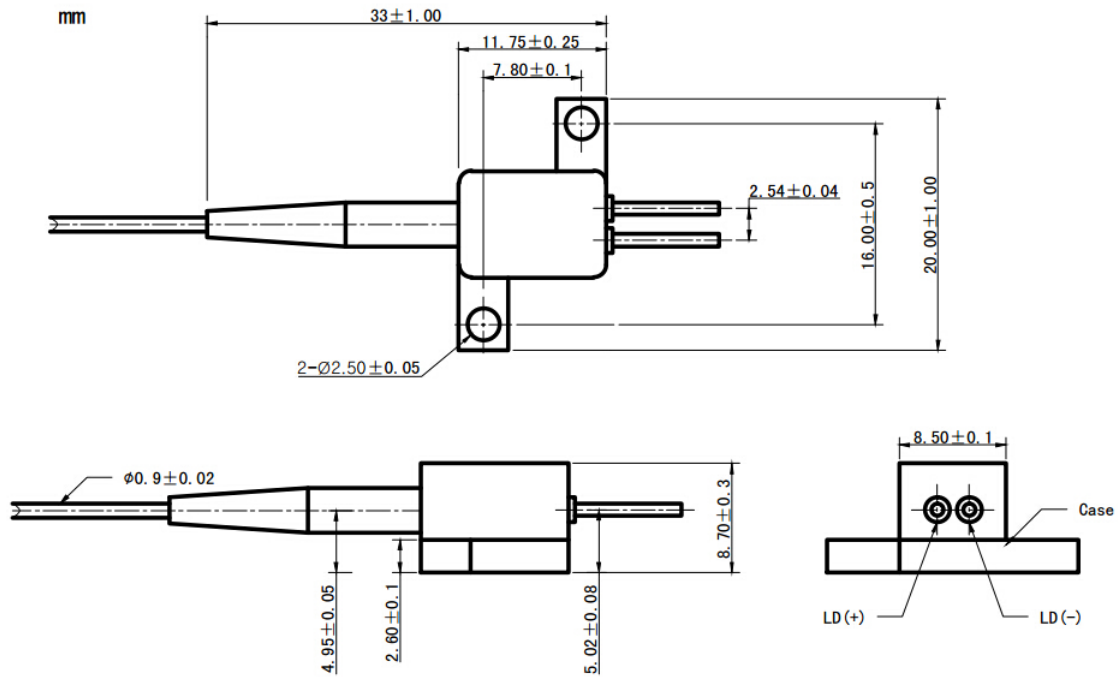
- Medical Laser Treatment
- Others


Specifications
WSLX-1490-002-M-H2

	Min	Type	Max
Center Wavelength@25°C	1490nm±40nm		
Spectral Width (FWHM)	----	10.0nm	----
Output Power	----	2.0W	----
Temperature Coefficient of Wavelength	----	0.7nm / °C	----
Threshold Current (Typ.)	----	0.5A	----
Operating Current (Typ.)	----	8.0A	----
Operating Voltage	----	1.8V	----
Recommended Case Temperature	25°C		
Fiber Core Diameter	105um (200um, 400um Optional)		
Fiber Numerical Aperture	0.22 (0.37N.A. Optional)		
Fiber Length	>80cm		
Connector Type	SMA905/ST/FC		
Package Style	2-Pin-01		



2-Pin-01 Package View



Wavespectrum offer **Customized 1490nm Fiber Coupled LD.**

- Customized Output Power
- Customized Fiber Core
- **Dual-Wavelength or Tri-Wavelength Module Optional**
 (such as 2W@1490nm+700mW@650nm)

More information please contact us:

Website: www.wavespectrum-laser.com, en.wavespectrum-laser.com.cn

Email: Info@wavespectrum-laser.com, sales@wavespectrum-laser.com

Electrically shorten LD module and store in non-extreme conditions.

Suggest using the constant current power supply.



Wavespectrum Laser Group
www.wavespectrum-laser.com
sales@wavespectrum-laser.com

