
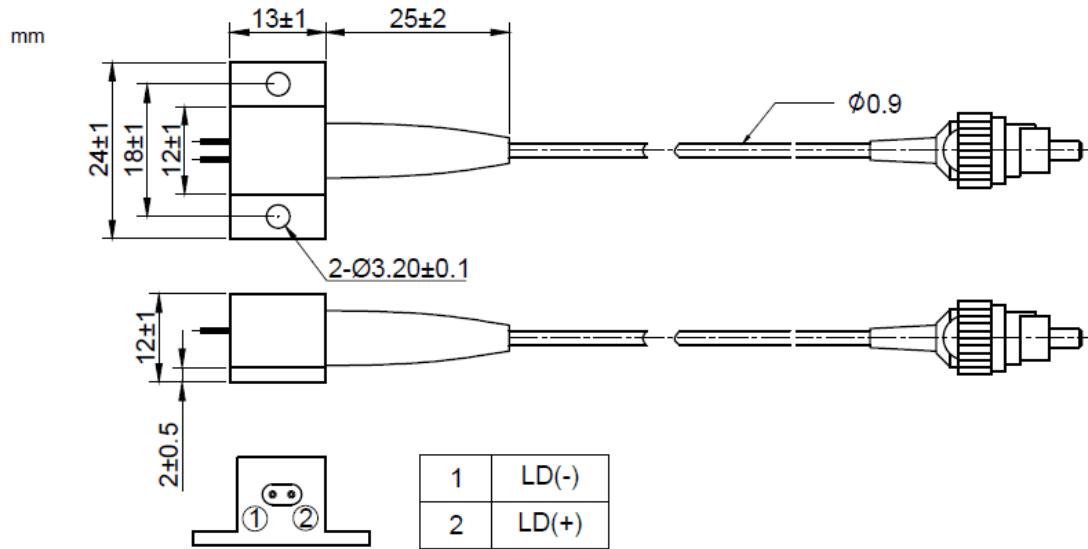


525nm~530nm 1W Fiber Coupled Diode Laser Module| Green Laser Diode
515nm~520nm 1000mW Pigtailed Laser Diode| With 50um Multi-mode Fiber |PD Optional
WSLP-525-001-50M
Wavespectrum Laser Group
www.wavespectrum-laser.com

525nm Pigtailed Diode Laser		1W/MM Fiber		Wavespectrum Laser Group	
PARAMETER	SYMBOL	VALUE		UNIT	
MAX Reverse Current	I_r	80		mA	
Operating Temperature	T_{op}	0~+60		°C	
Storage Temperature	T_{stg}	-40~+85		°C	
Lead soldering temperature (10 sec.)	T_{is}	260		°C	
Features: <ul style="list-style-type: none"> ● 525nm ● 50um Multi-mode Fiber ● TEC Cooling Optional ● Photodiodes Optional 					
Applications: <ul style="list-style-type: none"> ● Medical Laser Treatment ● Laser Show ● Others 					
Specifications	WSLP-525-001-50M				
	Min	Type	Max		
Center Wavelength@25°C	525nm±10nm				
Spectral Width (FWHM)	----	3.0nm	----		
Output Power	----	1W	----		
Recommended Operating Temperature	25°C				
Threshold Current (Typ.)	----	0.2A	0.6A		
Operating Current (Typ.)	----	2.1A	2.3A		
Operating Voltage	----	5.0V	6.0V		
Fiber Core	50um				
Numerical Aperture	0.22				
Fiber Length	>80cm				
Fiber Connector	FC/ST/SMA905				
Package Style	B7				
Built-in Photodiode	Optional				
Built-in TEC Cooling	Optional				



B7 Package View:



Electrically shorten LD module and store in non-extreme conditions.
 Suggest using the constant current power supply.

