


520nm 500mW Fiber Coupled LD with Coaxial Package| Green Laser Diode
515nm~520nm 500mW Pigtailed Laser Diode With 105um Multi-mode Fiber

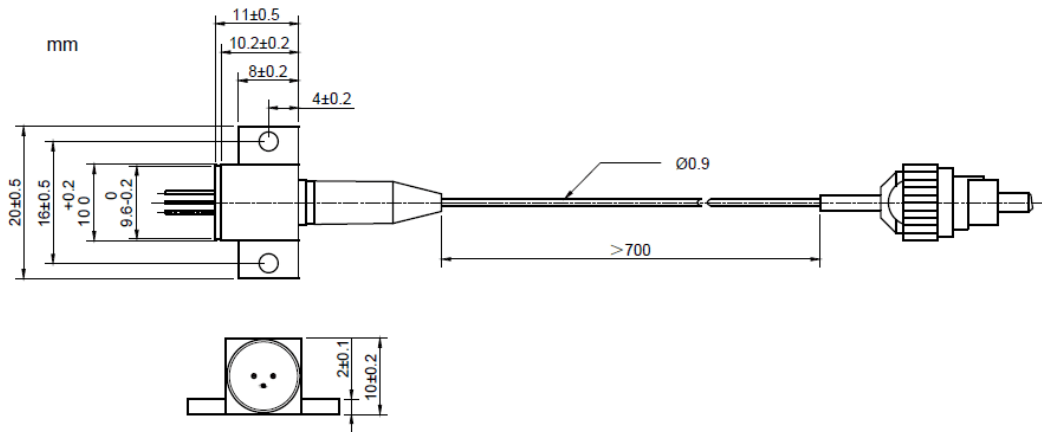
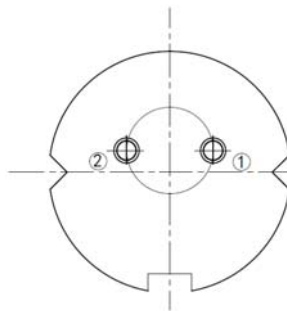
WSLP-520-500m-M

Wavespectrum Laser Group

www.wavespectrum-laser.com

520nm Pigtailed Diode Laser		500mW/MM Fiber		Wavespectrum Laser Group	
PARAMETER	SYMBOL	VALUE		UNIT	
Reverse voltage	V_r	2		V	
Operating Temperature	T_{op}	0~+60		°C	
Storage Temperature	T_{stg}	-40~+85		°C	
Lead soldering temperature (10 sec.)	T_{is}	260		°C	
Features: <ul style="list-style-type: none"> ● 520nm ● B15 Package ● TEC Cooling Optional 					
Applications: <ul style="list-style-type: none"> ● Medical Laser Treatment ● Printing ● Others 					
Specifications	WSLP-520-500m-M				
	Min	Type	Max		
Center Wavelength@25°C	520nm±10nm				
Spectral Width (FWHM)	----	2.0nm	----		
Output Power	----	500mW	----		
Fiber Core	105um				
Numerical Aperture	0.22				
Recommended Operating Temperature	25°C				
Fiber Connector	FC/ST/SMA905				
Fiber Length	>80cm				
Threshold Current (Typ.)	----	0.2A	0.6A		
Operating Current (Typ.)	----	1.4A	1.6A		
Operating Voltage	----	5.5V	7.0V		
Package Style	B15				



B15 Package View:

PIN Bottom View:


1	LD(+)
2	LD(-)

Electrically shorten LD module and store in non-extreme conditions.
 Suggest using the constant current power supply.

