

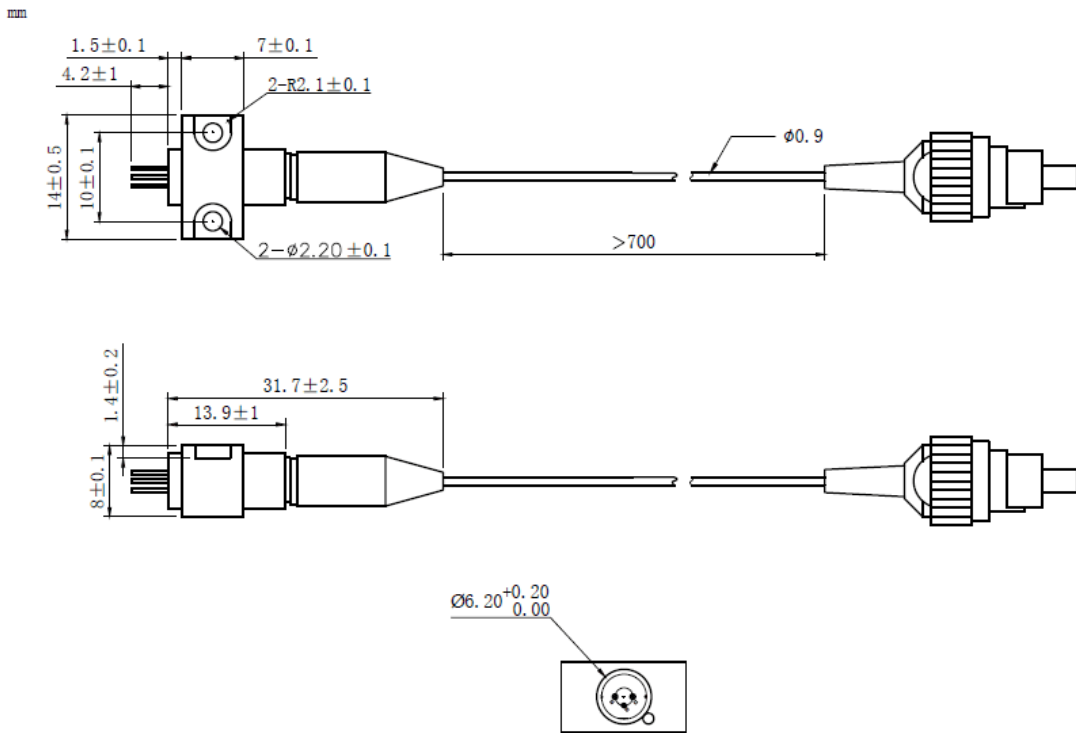
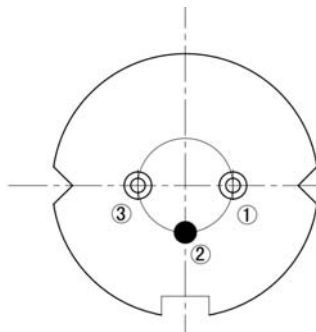
488nm~492nm 80mW Fiber coupled Diode Laser module with Coaxial Package| Blue LD Module
485nm~488nm~490nm Pigtailed LD with 50um, 62.5um or 105um Multi-mode Fiber (MM Fiber)
 WSLP-488-080m-M Wavespectrum Laser Group www.wavespectrum-laser.com

www.wavespectrum-laser.com

488nm Pigtailed Diode Laser		80mW/MMF		en.wavespectrum-laser.com.cn	
PARAMETER	SYMBOL	VALUE	UNIT		
Reverse Voltage	V_r	2.0	V		
Operating Temperature	T_{op}	-10~+60	°C		
Storage Temperature	T_{stg}	-40~+85	°C		
Lead soldering temperature (10 sec.)	T_{is}	260	°C		
Features: <ul style="list-style-type: none"> ● 488nm Diode Laser ● Multi-mode Fiber ● Coaxial or B82 Package ● High Stability 					
Applications: <ul style="list-style-type: none"> ● Medical Laser Treatment ● Biotechnology ● Others 					
Specifications	WSLP-488-080m-M				
	Min	Type	Max		
Center Wavelength@25°C	488nm±10nm				
Spectral Width (FWHM)	----	2.0nm	----		
Output Power	----	80mW	----		
Fiber Type	Multi-mode Fiber				
Fiber Core	105um (50um, 62.5um Optional)				
Recommend Operating Temperature	25°C				
Fiber Length	>80cm				
Threshold Current (Typ.)	----	35mA	70mA		
Operating Current (Typ.)	----	150mA	170mA		
Operating Voltage	----	6.5V	8.0V		
Package Style	Coaxial or B82				
Fiber Connector	FC/SC/SMA905				
Photodiode	Without				



Coaxial Package View: (Part Number: WSLP-488-080m-M)

B82 Package View: (Part Number: WSLP-488-080m-M-B)

PIN Bottom View:


1	LD(+)
2	GND
3	LD(-)



Electrically shorten LD module and store in non-extreme conditions.
Suggest using the constant current power supply.

