


445nm~450nm 70mW High Power Pigtailed Laser Diode with Single Mode Fiber| Blue LD
445nm | Single Mode Blue Diode Laser Module | 450nm Fiber Coupled LD| 3um UV SM Fiber
 WSLP-445-070m-4 Wavespectrum Laser Group www.wavespectrum-laser.com

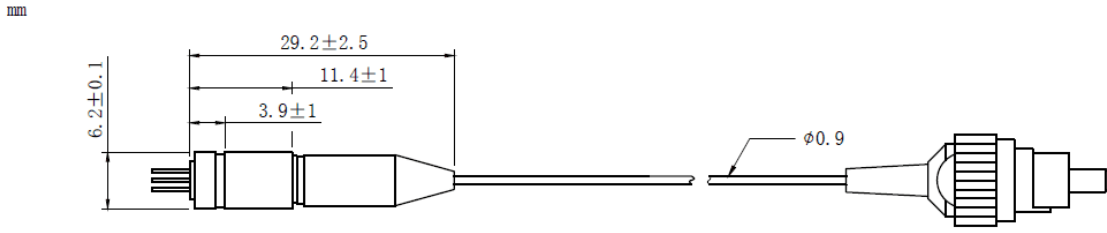
450nm Pigtailed Diode Laser 70mW/SMF en.wavespectrum-laser.com.cn

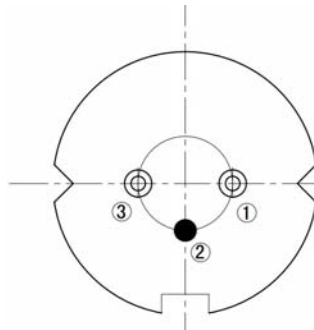
PARAMETER	SYMBOL	VALUE	UNIT
Reverse Voltage	V_r	2.0	V
Operating Temperature	T_{op}	-10~+70	°C
Storage Temperature	T_{stg}	-40~+85	°C
Lead soldering temperature (10 sec.)	T_{is}	260	°C

Features: <ul style="list-style-type: none"> ● 450nm ● 3um UV SM Fiber ● Coaxial or B82 Package 	
Applications: <ul style="list-style-type: none"> ● Medical Laser Treatment ● Printing ● Others 	

Specifications	WSLP-445-070m-4		
	Min	Type	Max
Center Wavelength@25℃	440nm	450nm	460nm
Spectral Width (FWHM)	----	2.0nm	----
Output Power	----	70mW	----
Fiber Type	3um SM Fiber		
Recommend Operating Temperature	25℃		
Monitor Current	----	----	----
PD Reverse Voltage	----	----	----
Fiber Connector	FC/SC/SMA905		
Fiber Length	>80cm		
Threshold Current	----	25mA	65mA
Operating Current	----	150mA	170mA
Operating Voltage	----	6.0V	7.0V
Package Style	Coaxial or B82		



Coaxial Package View: (Part Number: WSLP-445-070m-4)

B82 Package View: (Part Number: WSLP-445-070m-4-B)

PIN Bottom View:


1	LD(+)
2	GND
3	LD(-)



Electrically shorten LD module and store in non-extreme conditions.
Suggest using the constant current power supply.

