

670nm 1W High Power Laser Diode| C-mount Package| High Power Red LD| FAC Optional

660nm~670nm 1W C-mount Diode Laser | Red Laser Diodes

WSLD-670-001-C

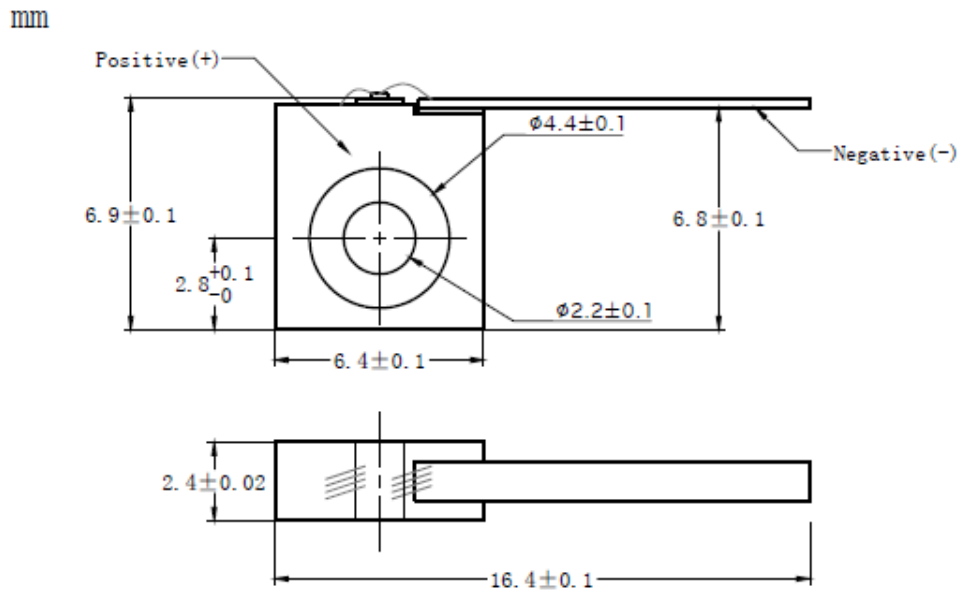
Wavespectrum Laser Group

en.wavespectrum-laser.com.cn

670nm Laser Diode		1W/C-mount		Wavespectrum Laser Group	
PARAMETER	SYMBOL	VALUE		UNIT	
Reverse Voltage	$V_r$	2.0		V	
Operating Temperature	$T_{op}$	+10~+30		°C	
Storage Temperature	$T_{stg}$	-20~ +80		°C	
Lead soldering temperature (10 sec.)	$T_{is}$	260		°C	
<b>Features:</b> <ul style="list-style-type: none"> <li>670nm</li> <li>High Power ,CW, Multi-mode</li> <li>High Quality</li> <li>C-mount Package</li> </ul>					
<b>Applications:</b> <ul style="list-style-type: none"> <li>Medical Laser Treatment</li> <li>Laser Indicator</li> <li>Laser Detector</li> </ul>					
<b>Specifications</b>		<b>WSLD-670-001-C</b>			
		<b>Min</b>	<b>Type</b>	<b>Max</b>	
Center Wavelength@25°C		670nm ± 10nm			
Spectral Width (FWHM)			2nm		
Output Power			1W		
Emitter Area			100x1μm		
Beam Divergence (FWHM)			35° <sub>⊥</sub> x 8° <sub>//</sub>		
Temperature Coefficient of Wavelength			0.2nm / °C		
Slope Efficiency			1.1W/A		
Threshold Current (Typ.)			0.4A		
Operating Current (Typ.)			1.5A		
Operating Voltage			2.4V		
Package Style		C-mount			
Recommended Operation Temp		25°C			



**C-mount Package View:**



**Electrically shorten LD module and store in non-extreme conditions.  
 Suggest using the constant current power supply.**

