

660nm 1.5W High Power Laser Diode| C-mount Package| High Power Red LD| FAC Optional

658nm~660nm 1.5W C-mount Diode Laser | Red Laser Diodes

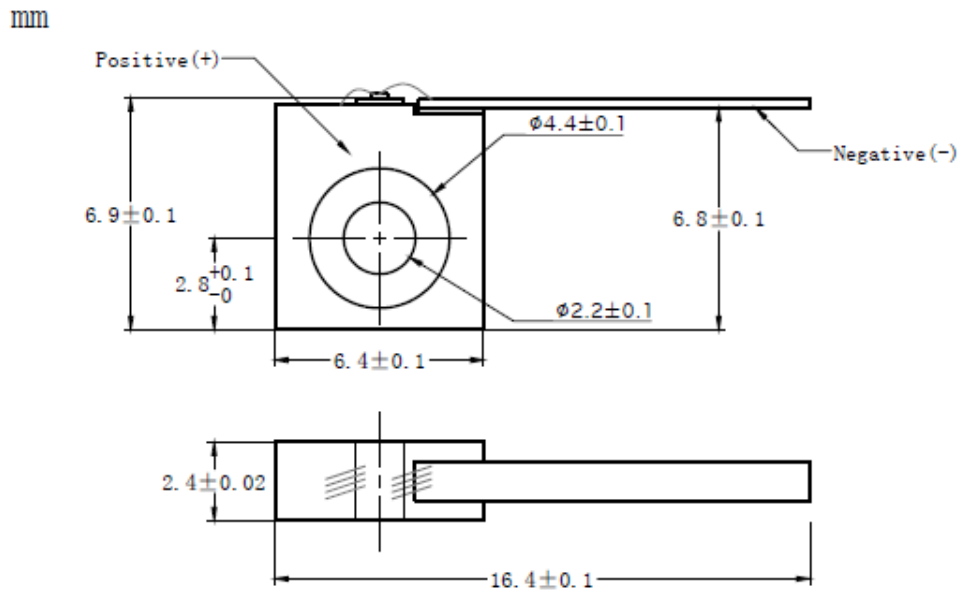
WSLD-660-1500m-C

Wavespectrum Laser Group

en.wavespectrum-laser.com.cn

| 660nm Laser Diode | | 1.5W/C-mount | | Wavespectrum Laser Group | |
|---|-----------|---|-------------------------------------|--------------------------|--|
| PARAMETER | SYMBOL | VALUE | UNIT | | |
| Reverse Voltage | V_r | 2.0 | V | | |
| Operating Temperature | T_{op} | +10~+30 | °C | | |
| Storage Temperature | T_{stg} | -20~ +80 | °C | | |
| Lead soldering temperature (10 sec.) | T_{is} | 260 | °C | | |
| Features: <ul style="list-style-type: none"> 660nm High Power ,CW, Multi-mode High Quality C-mount Package | |  | | | |
| Applications: <ul style="list-style-type: none"> Medical Laser Treatment Laser Indicator Laser Detector | | | | | |
| Specifications | | WSLD-660-1500m-C | | | |
| | | Min | Type | Max | |
| Center Wavelength@25°C | | 660nm ± 10nm | | | |
| Spectral Width (FWHM) | | | 2nm | | |
| Output Power | | | 1.5W | | |
| Emitter Area | | | 100x1μm | | |
| Beam Divergence (FWHM) | | | 35° _⊥ x 8° _{//} | | |
| Temperature Coefficient of Wavelength | | | 0.2nm / °C | | |
| Slope Efficiency | | | 1.2W/A | | |
| Threshold Current (Typ.) | | | 0.5A | | |
| Operating Current (Typ.) | | | 1.9A | | |
| Operating Voltage | | | 2.5V | | |
| Package Style | | C-mount | | | |
| Recommended Operation Temp | | 25°C | | | |



C-mount Package View:


**Electrically shorten LD module and store in non-extreme conditions.
 Suggest using the constant current power supply.**



Wavespectrum Laser Group
www.wavespectrum-laser.com
sales@wavespectrum-laser.com

