

660nm 1.5W TO Can Laser Diode | High Power Red LD with TO3 Package

658nm~660nm 1.5W Laser Diode | TO3 Package LD | FAC Optional

WSLD-660-1500m-3

Wavespectrum Laser Group

www.wavespectrum-laser.com

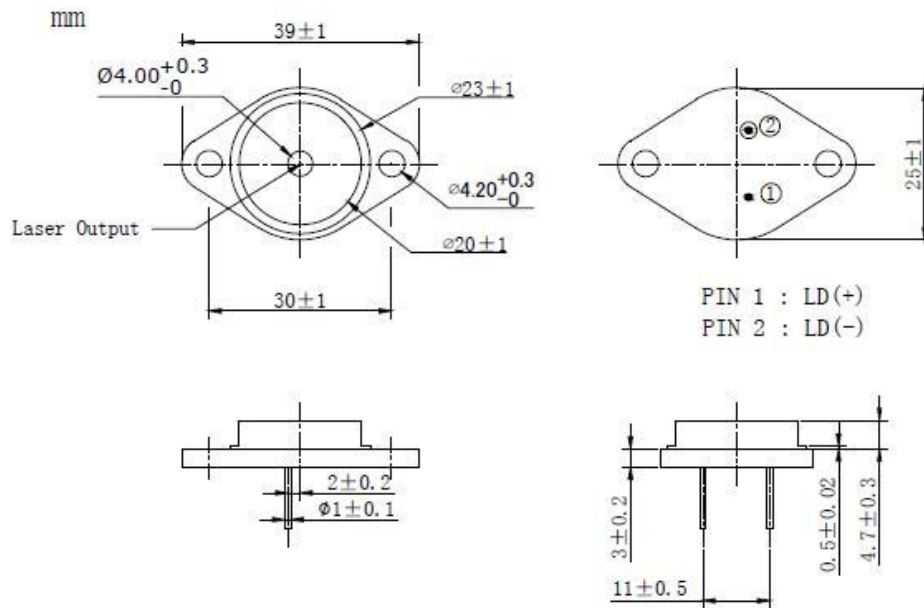
en.wavespectrum-laser.com.cn

660nm Laser Diode 1.5W/TO3

PARAMETER	SYMBOL	VALUE	UNIT
Reverse Voltage	$V_r$	2.0	V
Operating Temperature	$T_{op}$	+10~+30	°C
Storage Temperature	$T_{stg}$	-20~+80	°C
Lead soldering temperature (10 sec.)	$T_{is}$	260	°C
<b>Features:</b> <ul style="list-style-type: none"> <li>● 660nm</li> <li>● High Power ,CW, Multi-mode</li> <li>● High Quality</li> <li>● TO3 Package</li> </ul>			
<b>Applications:</b> <ul style="list-style-type: none"> <li>● Medical Laser treatment</li> <li>● Laser Indicator</li> <li>● Laser Detector</li> </ul>			
<b>Specifications</b>		<b>WSLD-660-1500m-3</b>	
	<b>Min</b>	<b>Type</b>	<b>Max</b>
Center Wavelength@25°C	660nm±10nm		
Spectral Width (FWHM)		2nm	
Output Power		1.5W	
Emitter Area		100x1μm	
Beam Divergence (FWHM)		35° <sub>⊥</sub> x 8° <sub>//</sub>	
Temperature Coefficient of Wavelength		0.2nm / °C	
Slope Efficiency		1.2W/A	
Threshold Current (Typ.)		0.5A	
Operating Current (Typ.)		1.9A	
Operating Voltage		2.5V	
Package Style	TO3		



### T03 Package View



**Electrically shorten LD module and store in non-extreme conditions.  
 Suggest using the constant current power supply.**



Wavespectrum Laser Group  
[www.wavespectrum-laser.com](http://www.wavespectrum-laser.com)  
[sales@wavespectrum-laser.com](mailto:sales@wavespectrum-laser.com)

