

760nm~770nm 2W H-mount Laser Diode | FAC Optional | Square Beam Optional

760nm Laser Diode| High Power LD| 2W Power| H-mount Package

WSLD-760-002-H

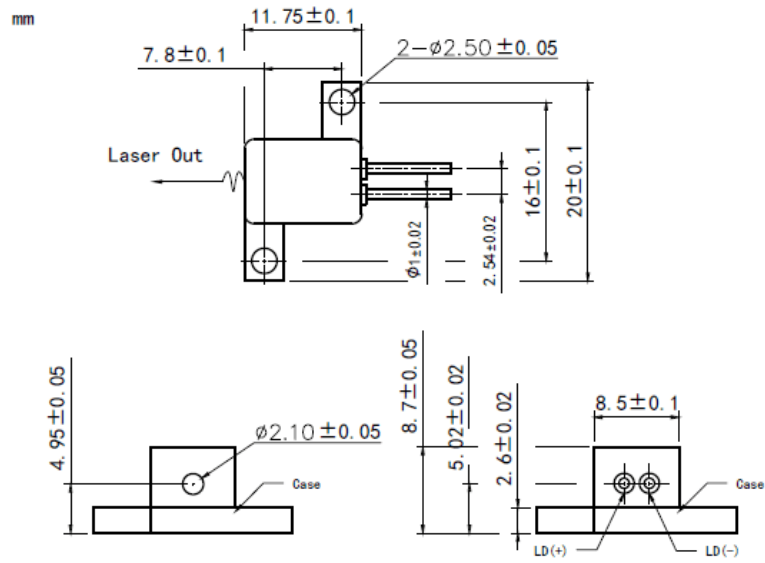
Wavespectrum Laser Group

www.wavespectrum-laser.com

760nm Laser Diode		2W/H-mount		Wavespectrum Laser Group	
PARAMETER	SYMBOL	VALUE		UNIT	
Reverse Voltage	$V_r$	2.0		V	
Operating Temperature	$T_{op}$	+10~+30		°C	
Storage Temperature	$T_{stg}$	-20~ +80		°C	
Lead soldering temperature (10 sec.)	$T_{is}$	260		°C	
<b>Features:</b> <ul style="list-style-type: none"> <li>760nm</li> <li>Multimode</li> <li>H-mount Package</li> <li>FAC Lens Optional</li> </ul>					
<b>Applications:</b> <ul style="list-style-type: none"> <li>Medical Laser Treatment</li> <li>Laser Pumping</li> <li>Others</li> </ul>					
Specifications		WSLD-760-002-H			
		Min	Type	Max	
Center Wavelength@25°C		±5nm	760nm	±10nm	
Spectral Width (FWHM)			3.0nm		
Output Power		----	2W	----	
Emitter Area		----	200x1μm	-----	
Beam Divergence (FWHM)		----	35°± x 8°//	----	
Temperature Coefficient of Wavelength		----	0.3nm / °C	----	
Slope Efficiency		----	1.2W/A	----	
Threshold Current (Typ.)		----	0.5A	0.8A	
Operating Current (Typ.)		----	2.2A	2.4A	
Operating Voltage		----	1.8V	2.2V	
Package Style		H-mount			
Recommended Operating Temperature		25°C			



## H-mount Package View



**Electrically shorten LD module and store in non-extreme conditions.  
Suggest using the constant current power supply.**

