


525nm~530nm Collimated Laser Diode| High Power Green LD| 1.5W Output Power| Collimation Beam

520nm~525nm 1.5W LD| Small Compact Package| Green Diode Laser

WSLD-525-1500m-K

Wavespectrum Laser Group

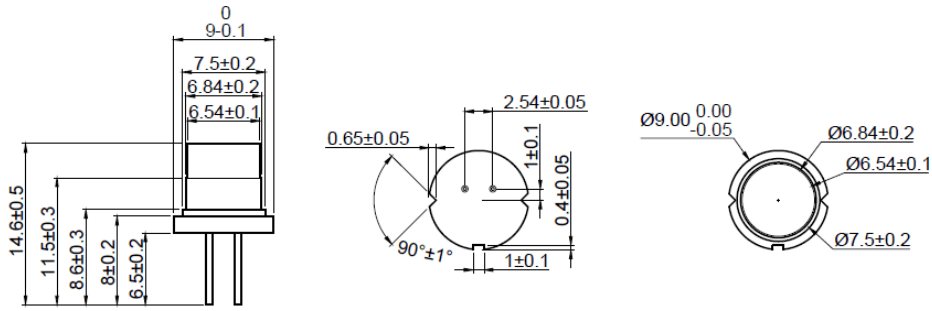
www.wavespectrum-laser.com

525nm Collimated Laser Diode		1.5W/TO5		Wavespectrum Laser Group	
PARAMETER		SYMBOL	VALUE		UNIT
Reverse Voltage		$V_r$	2.0		V
Operating Temperature		$T_{op}$	0~+60		°C
Storage Temperature		$T_{stg}$	-40~+85		°C
Lead soldering temperature (10 sec.)		$T_{is}$	260		°C
<b>Features:</b> <ul style="list-style-type: none"> <li>● 525nm</li> <li>● Collimated Laser Beam</li> <li>● Small Compact Package</li> <li>● Excellent Beam Quality</li> <li>● Built-in PD Optional</li> <li>● Built-in TEC Cooling Optional</li> </ul>					
<b>Specifications</b>		<b>WSLD-525-1500m-K</b>			
		Min	Type	Max	
Center Wavelength@25°C		510nm	525nm	535nm	
Output Power (CW Mode)		----	1.5W	----	
Spatial Mode		Multi-mode			
Lens Type		Aspheric Lens (with AR Coating)			
Beam Shape		Elliptical			
Beam Divergence (Full Angle)		Parallel ( $\theta //$ )	0.2°	0.4°	0.6°
		Perpendicular ( $\theta \perp$ )	-1.0°	0°	1.0°
Recommend Operating Temperature		25 °C			
Threshold Current (Typ.)		----	0.3A	----	
Operating Current (Typ.)		----	2.3A	----	
Operating Voltage		----	5.0V	----	
Package		TO5(9mm)			

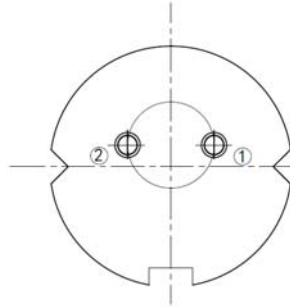


### Package Drawing:

mm



### PIN Bottom View:



1	LD(+)
2	LD(-)

Electrically shorten LD module and store in non-extreme conditions.  
 Suggest using the constant current power supply.

