

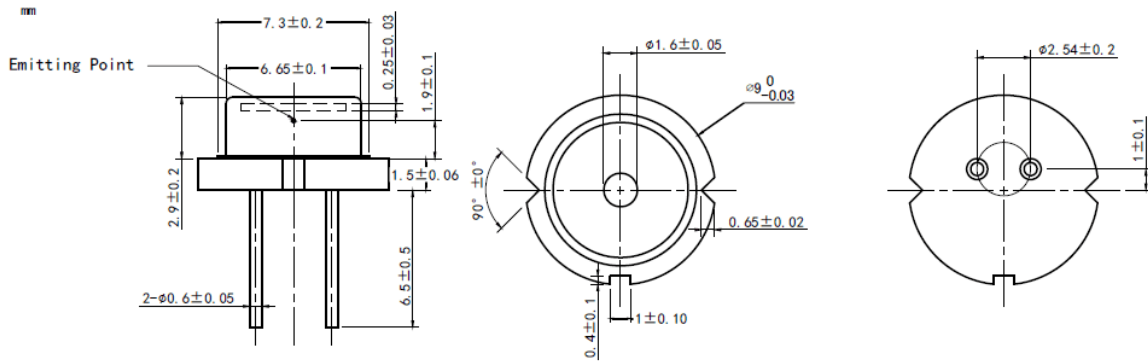
520nm~525nm 1.5W Laser Diode with FAC Lens | High Power Green LD with Linear Beam | TO5 Diode Laser  
 525nm 1.3W~1.5W LD| 9mm TO5 Package | Square Beam Optional | Used for Medical Cure, Laser Show  
 WSLD-525-1500m-2-FAC      Wavespectrum Laser Group.      www.wavespectrum-laser.com

en.wavespectrum-laser.com.cn

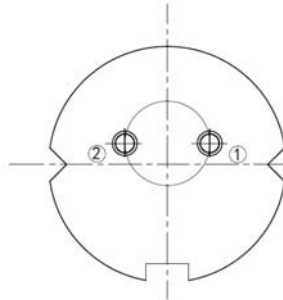
525nm Laser Diode		1.5W/TO5	
PARAMETER	SYMBOL	VALUE	UNIT
Forward Current	I <sub>f</sub>	2.0	A
Operating Temperature	T <sub>op</sub>	0~+60	°C
Storage Temperature	T <sub>stg</sub>	-40~+85	°C
Lead soldering temperature (10 sec.)	T <sub>is</sub>	260	°C
<b>Features:</b> <ul style="list-style-type: none"> <li>525nm</li> <li>1.5W Output Power</li> <li>TO5 (9mm) Package</li> <li>With FAC Lens</li> </ul>			
<b>Applications:</b> <ul style="list-style-type: none"> <li>Medical Laser Treatment</li> <li>Laser Show</li> <li>Others</li> </ul>			
<b>Specifications</b>		<b>WSLD-525-1500m-2-FAC</b>	
		Min	Type
Center Wavelength@25°C		525nm±10nm	
Spectral Width (FWHM)		3.0nm	
Output Power		1.3W	1.5W
Recommended Operating Temperature		25°C	
Beam	Beam Divergence (FWHM)	----	2°± x 10°//
	Beam Shape	Linear Shape Beam (Fast Axis compressed to about 2°)	
Square Shape Beam (About 1:1)		Optional	
Slope Efficiency		----	0.8W/A
Threshold Current (Typ.)		----	0.2A
Operating Current (Typ.)		----	2.1A
Operating Voltage		----	5.0V
Package Style		TO5 (9mm)	
FAC Lens		Built-in	



### Package View



### PIN Bottom View:



1	LD(+)
2	LD(-)

Electrically shorten LD module and store in non-extreme conditions.  
 Suggest using the constant current power supply.

