

525nm~530nm 1.5W Laser Diode | High Power LD 9mm Package | Green Laser Diode

525nm LD | 1.5W Power | 9mm TO5 Package | Used for Medical Cure, Laser Show

WSLD-525-1500m-2

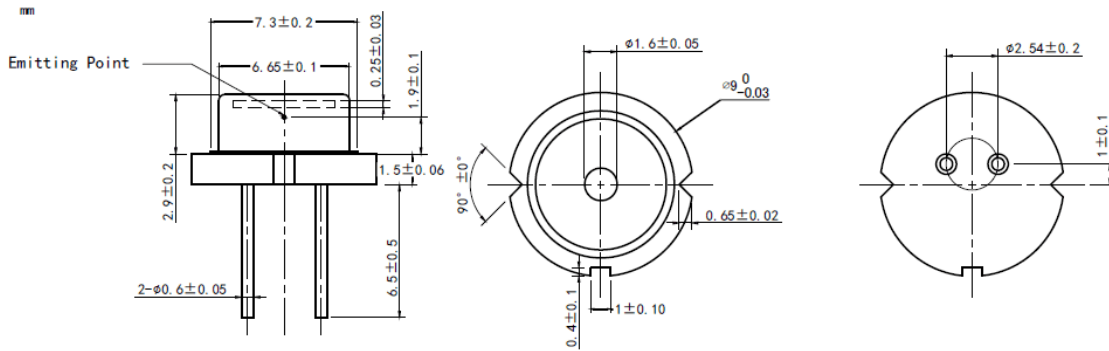
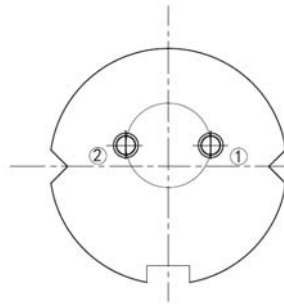
Wavespectrum Laser Group.

www.wavespectrum-laser.com

en.wavespectrum-laser.com.cn

525nm Laser Diode		1.5W/TO5	
PARAMETER	SYMBOL	VALUE	UNIT
Forward Current	I _f	2.0	A
Operating Temperature	T _{op}	0~+60	°C
Storage Temperature	T _{stg}	-40~+85	°C
Lead soldering temperature (10 sec.)	T _{is}	260	°C
Features: <ul style="list-style-type: none"> ● 525nm ● 1.5W Output Power ● TO5 (9mm) Package ● Long lifetime 			
Applications: <ul style="list-style-type: none"> ● Medical Laser Treatment ● Laser Show ● Others 			
Specifications		WSLD-525-1500m-2	
		Min	Type
Center Wavelength@25°C		525nm±10nm	
Spectral Width (FWHM)		3.0nm	
Output Power		1.3W	1.5W
Recommended Operating Temperature		25°C	
Beam Divergence		----	45°± x 12° //
Monitor Current		----	
Slope Efficiency		----	0.8W/A
Threshold Current (Typ.)		----	0.2A
Operating Current (Typ.)		----	2.1A
Operating Voltage		----	5.0V
Package Style		9mm	



Package View:

PIN Bottom View:


1	LD(+)
2	LD(-)

Electrically shorten LD module and store in non-extreme conditions.
 Suggest using the constant current power supply.

