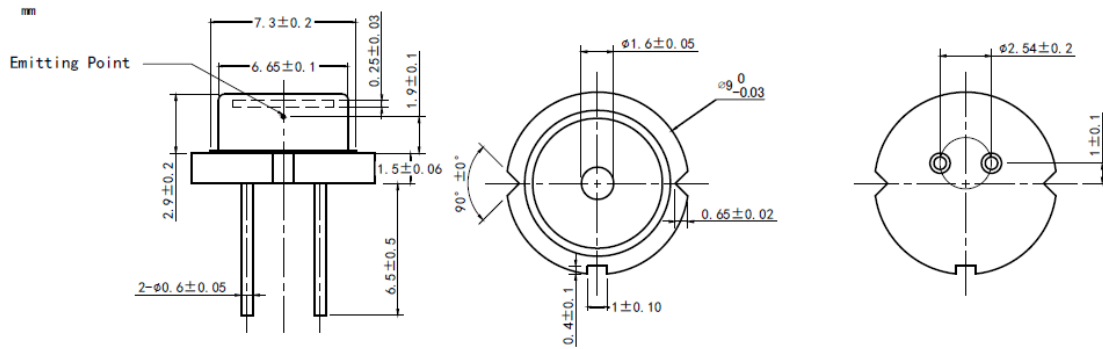


460nm~465nm 3W TO5 Laser Diode with Square Beam | TO5 9mm Package |Blue Laser Diode
465nm LD| 3W Output Power | 9mm TO5 Package | With FAC Lens
WSLD-465-003-2-FAC
Wavespectrum Laser Group.
www.wavespectrum-laser.com

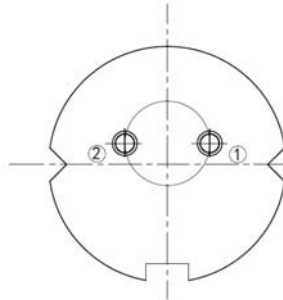
465nm Laser Diode		3W/TO5		en.wavespectrum-laser.com.cn	
PARAMETER		SYMBOL	VALUE		UNIT
Reverse Voltage		V_r	2.0		V
Operating Temperature		T_{op}	0~ +60		°C
Storage Temperature		T_{stg}	-40~ +85		°C
Lead soldering temperature (10 sec.)		T_{is}	260		°C
Features: <ul style="list-style-type: none"> 🔸 465nm 🔸 3W Output Power 🔸 TO5 Package 🔸 With FAC Lens 					
Applications: <ul style="list-style-type: none"> 🔸 Medical Laser Treatment 🔸 Laser Show 🔸 Others 					
Specifications		WSLD-465-003-2-FAC			
		Min	Type	Max	
Center Wavelength@25°C		465nm±10nm			
Spectral Width (FWHM)		3.0nm			
Output Power		2.5W	3W	----	
Recommended Operating Temperature		25°C			
Beam	Beam Divergence (FWHM)	----	$10^{\circ} \pm x 10^{\circ} //$	$13^{\circ} \pm x 13^{\circ} //$	
	Beam Shape	Square Beam (About 1:1)			
Linear Shape Beam (Fast Axis compressed to about 2°)		Optional			
Slope Efficiency		----	1.5W/A	----	
Threshold Current (Typ.)		----	0.4A	0.7A	
Operating Current (Typ.)		----	2.5A	3.0A	
Operating Voltage		----	4.5V	5.5V	
Package Style		TO5 (9mm)			



Package View



PIN Bottom View:



1	LD(+)
3	LD(-)

Electrically shorten LD module and store in non-extreme conditions.
 Suggest using the constant current power supply.

