

465nm 3W TO5 Laser Diode | High Power LD With 9mm Package | Blue Laser Diode

465nm LD | 3W Output Power | 9mm TO5 Package | With Flat Window

WSLD-465-003-2

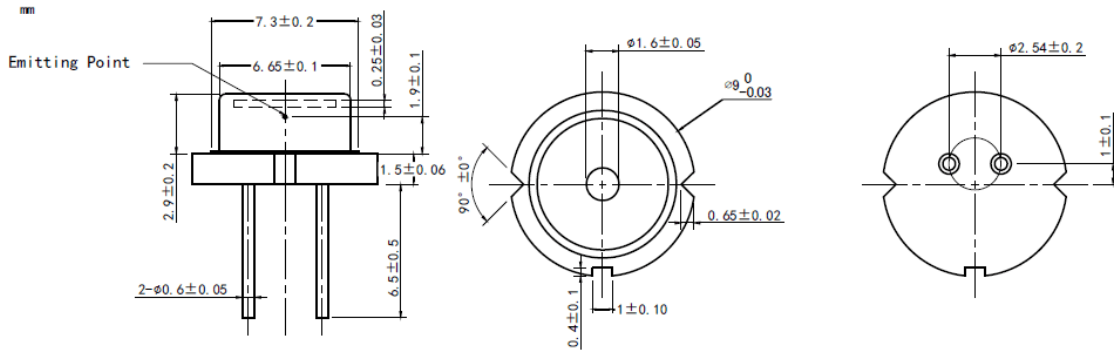
Wavespectrum Laser Group.

www.wavespectrum-laser.com

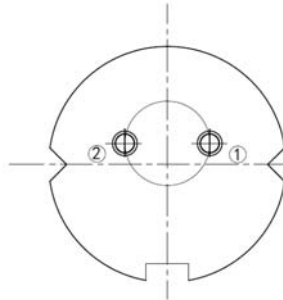
465nm Laser Diode		3W/TO5		en.wavespectrum-laser.com.cn	
PARAMETER	SYMBOL	VALUE		UNIT	
Reverse Voltage	V_r	2.0		V	
Operating Temperature	T_{op}	0 ~ +60		°C	
Storage Temperature	T_{stg}	-40 ~ +85		°C	
Lead soldering temperature (10 sec.)	T_{is}	260		°C	
Features: <ul style="list-style-type: none"> 465nm 3W Output Power TO5 Package Long Lifetime 					
Applications: <ul style="list-style-type: none"> Medical Laser Treatment Laser Indicator Others 					
Specifications		WSLD-465-003-2			
		Min	Type	Max	
Center Wavelength@25°C		465nm±10nm			
Spectral Width (FWHM)		3.0nm			
Output Power		----	3W	----	
Recommended Operating Temperature		25°C			
Beam Divergence		----	45° _⊥ x 15° _{//}	----	
Monitor Current		----			
Slope Efficiency		----	1.7W/A	----	
Threshold Current (Typ.)		----	0.4A	0.7A	
Operating Current (Typ.)		----	2.5A	3.0A	
Operating Voltage		----	4.5V	5.5V	
Package Style		TO5 (9mm)			



Package View



PIN Bottom View:



1	LD(+)
3	LD(-)

Electrically shorten LD module and store in non-extreme conditions.
 Suggest using the constant current power supply.

