
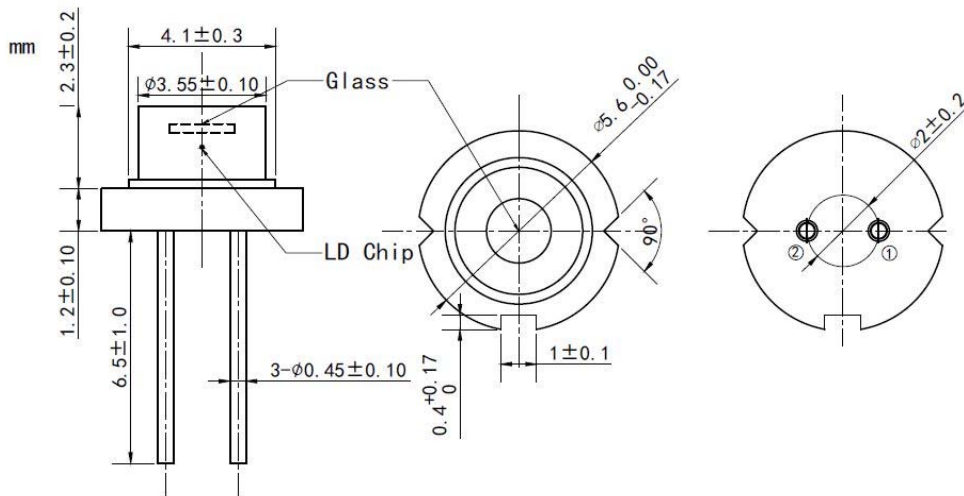


375nm 150mW Multi-mode Laser Diode | High Power LD
375nm~380nm LD| 150mW Output Power|5.6 mm Package | Violet LD | Multimode Laser Diode
WSLD-375-150m-1
Wavespectrum Laser Group
www.wavespectrum-laser.com

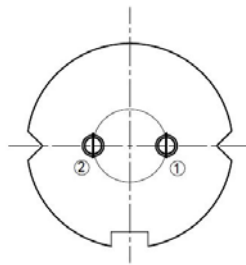
375nm Laser Diode		150mW/TO18		Wavespectrum Laser Group	
PARAMETER	SYMBOL	VALUE		UNIT	
Reverse Voltage	V_r	2.0		V	
Operating Temperature	T_{op}	+15 ~ +30		°C	
Storage Temperature	T_{stg}	-40 ~ +85		°C	
Lead soldering temperature (10 sec.)	T_{is}	260		°C	
Features: <ul style="list-style-type: none"> 375nm High Output Power 5.6mm Package Multimode Laser Diode 					
Applications: <ul style="list-style-type: none"> Medical Laser Treatment Printing Others 					
Specifications		WSLD-375-150m-1			
		Min	Type	Max	
Center Wavelength@25°C		375nm±10nm			
Spectral Width (FWHM)		2.0nm			
Output Power (CW)		----	150mW	----	
Beam Divergence (FWHM)		----	35° _⊥ x 15° _{//}	45° _⊥ x 25° _{//}	
Threshold Current (Typ.)		----	200mA	300mA	
Operating Current (Typ.)		----	320mA	400mA	
Operating Voltage		----	4.5V	6.0V	
Slope Efficiency		----	1.3mW/mA	----	
Recommended Operating Temperature		25 °C			
Package Style		5.6mm			



TO18 (5.6mm) Package View



PIN Bottom View



1	LD(+)
2	LD(-)

Electrically shorten LD module and store in non-extreme conditions.
 Suggest using the constant current power supply.

