

820nm 150mW Single Mode LD| SM Laser Diode|5.6mm TO18 Package
820nm~830nm SM Laser Diodes |Single Mode LD|150mW Power

WSLD-820-150m-1-PD

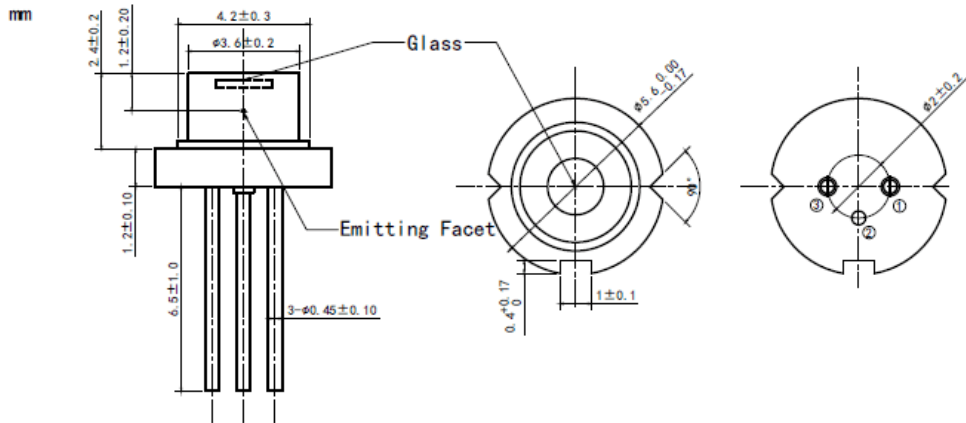
Wavespectrum laser Group.

www.wavespectrum-laser.com

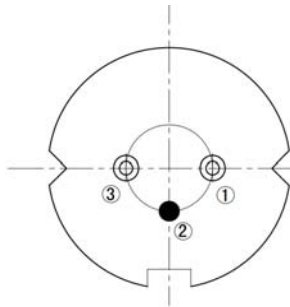
820nm Laser Diode		150mW/TO18		Wavespectrum Laser Group	
MAX Reverse Voltage	V_r	2.0		V	
Operating Temperature	T_{op}	-20~+50		°C	
Storage Temperature	T_{stg}	-40~+80		°C	
Lead soldering temperature (10 sec.)	T_{is}	260		°C	
Features: <ul style="list-style-type: none"> ● 820nm ● Single Mode LD ● Built-in PD ● TO18 Package 					
Applications: <ul style="list-style-type: none"> ● Medical Laser Treatment ● Laser Indicator ● Laser Detector 					
Specifications		WSLD-820-150m-1-PD			
		Min	Type	Max	
Center Wavelength@25°C		820nm±15nm			
Spectral Width (FWHM)		3.0nm			
Output Power		150mW			
Recommended Operating Temperature		25°C			
Beam Divergence (FWHM)		28° ± x8° //			
Monitor Current		0.6mA			
PD MAX Reverse Voltage		25V			
Slope Efficiency		----	0.9mW/mA	----	
Threshold Current (Typ.)		----	35mA	60mA	
Operating Current (Typ.)		----	200mA	230mA	
Operating Voltage			2.3V	2.8V	
Package Style		TO18			



TO18(5.6mm) Package View



PIN Bottom View:



1	LD(-)
2	LD(+)&PD(-)
3	PD(+)

Electrically shorten LD module and store in non-extreme conditions.
Suggest using the constant current power supply.

