

**480nm~482nm 50mW Fiber coupled Diode Laser module with Coaxial Package| Blue LD Module  
 480nm Pigtailed LD with 50um, 62.5um or 105um Multi-mode Fiber (MM Fiber)**

WSLP-480-050m-M

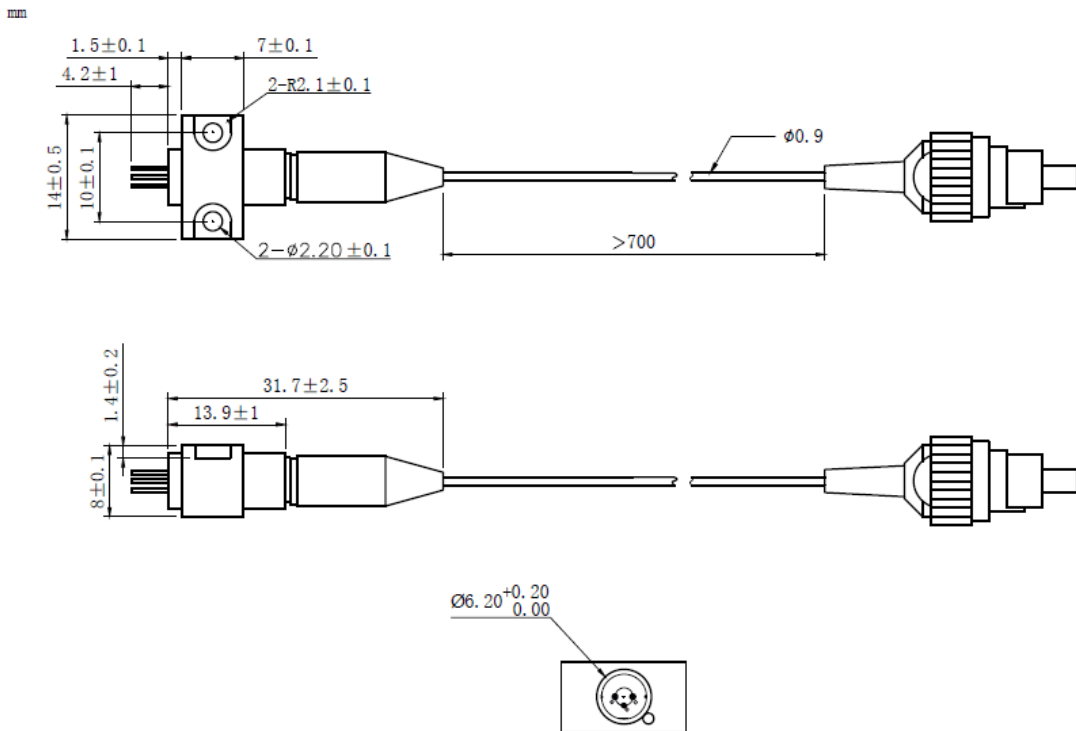
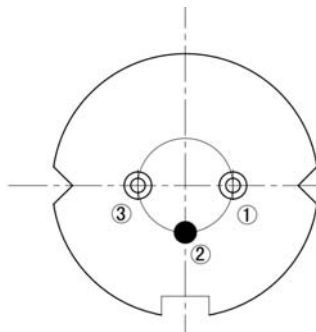
Wavespectrum Laser Group

[www.wavespectrum-laser.com](http://www.wavespectrum-laser.com)

480nm Pigtailed Diode Laser		50mW/MMF		<a href="http://en.wavespectrum-laser.com.cn">en.wavespectrum-laser.com.cn</a>	
PARAMETER	SYMBOL	VALUE	UNIT		
Reverse Voltage	$V_r$	2.0	V		
Operating Temperature	$T_{op}$	-10~+60	°C		
Storage Temperature	$T_{stg}$	-40~+85	°C		
Lead soldering temperature (10 sec.)	$T_{is}$	260	°C		
<b>Features:</b> <ul style="list-style-type: none"> <li>● 480nm Diode Laser</li> <li>● Multi-mode Fiber</li> <li>● Coaxial or B82 Package</li> <li>● High Stability</li> </ul>					
<b>Applications:</b> <ul style="list-style-type: none"> <li>● Medical Laser Treatment</li> <li>● Biotechnology</li> <li>● Others</li> </ul>					
<b>Specifications</b>	<b>WSLP-480-050m-M</b>				
	Min	Type	Max		
Center Wavelength@25°C	480nm±10nm				
Spectral Width (FWHM)	----	2.0nm	----		
Output Power	----	50mW	----		
Fiber Type	Multi-mode Fiber				
Fiber Core	105um (50um, 62.5um Optional)				
Recommend Operating Temperature	25°C				
Fiber Length	>80cm				
Threshold Current (Typ.)	----	30mA	60mA		
Operating Current (Typ.)	----	130mA	150mA		
Operating Voltage	----	6.5V	8.0V		
Package Style	Coaxial or B82				
Fiber Connector	FC/SC/SMA905				
Photodiode	Without				



**Coaxial Package View: (Part Number: WSLP-480-050m-M)**

**B82 Package View: (Part Number: WSLP-480-050m-M-B)**

**PIN Bottom View:**


<b>1</b>	<b>LD(+)</b>
<b>2</b>	<b>GND</b>
<b>3</b>	<b>LD(-)</b>



Electrically shorten LD module and store in non-extreme conditions.  
Suggest using the constant current power supply.

