

435nm 3W Fiber Coupled LD| TEC Cooling Optional| Blue Laser Diode| Coaxial Package

435nm~440nm Pigtailed Laser Diode| 105um 200um MM Fiber| Built-in PD Optional

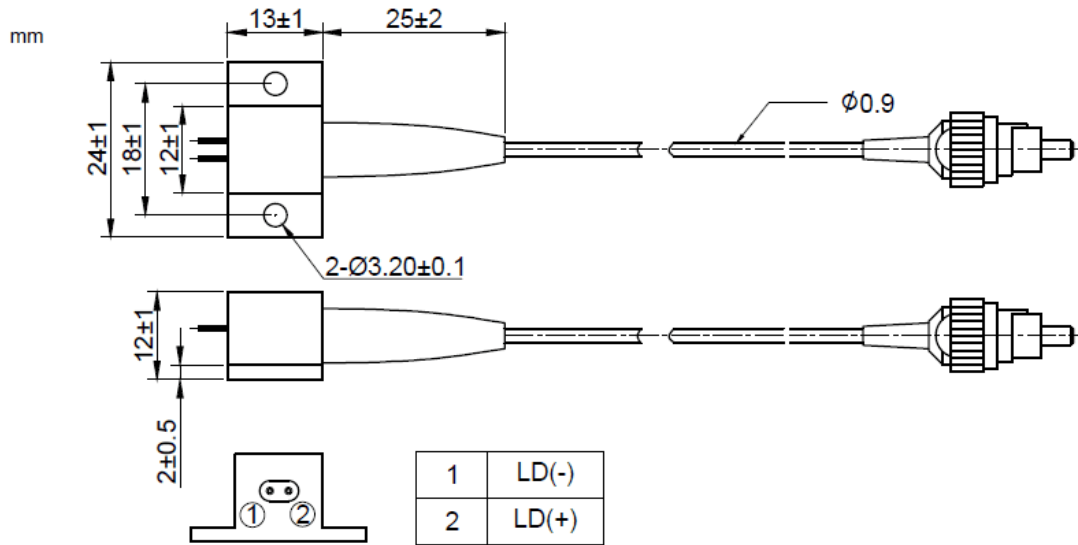
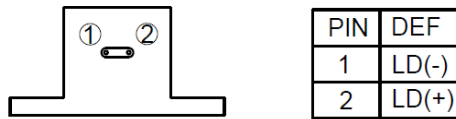
WSLP-435-003-M

Wavespectrum Laser Group

www.wavespectrum-laser.com

435nm Pigtailed Diode Laser		3W/MM Fiber		Wavespectrum Laser Group	
PARAMETER	SYMBOL	VALUE		UNIT	
Reverse Voltage	V_r	2.0		V	
Operating Temperature	T_{op}	0 ~ +60		°C	
Storage Temperature	T_{stg}	-40 ~ +85		°C	
Lead soldering temperature (10 sec.)	T_{is}	260		°C	
Features: <ul style="list-style-type: none"> ● 435nm ● B7 Package ● TEC Cooling Optional ● Photodiodes Optional 					
Applications: <ul style="list-style-type: none"> ● Medical Laser Treatment ● Laser Show ● Others 					
Specifications		WSLP-435-003-M			
		Min	Type	Max	
Center Wavelength@25°C		435nm±10nm			
Spectral Width (FWHM)		----	3.0nm	----	
Output Power		----	3W	----	
Fiber Type		Multi-mode Fiber			
Fiber Core		105um (200um Optional)			
Recommended Operating Temperature		25°C			
Fiber Connector		FC/ST/SMA905			
Fiber Length		>80cm			
Threshold Current (Typ.)		----	0.3A	0.6A	
Operating Current (Typ.)		----	3.0A	3.2A	
Operating Voltage		----	4.5V	5.5V	
Package Style		B7			
Built-in Photodiode		Optional			
Built-in TEC Cooling		Optional			



B7 Package View:

PIN Bottom View:


Electrically shorten LD module and store in non-extreme conditions.
 Suggest using the constant current power supply.

