

**420nm 800mW 14-Pin Butterfly Package Fiber Coupled Diode Laser With TEC | Blue Laser Diode**
**420nm~425nm 0.8W| 14-Pin BTF Package | High Power Laser |Built-in TEC Cooling | Built-in PD**
**WSLX-420-800m-M-H14-T-PD**
**Wavespectrum Laser Group**
**www.wavespectrum-laser.com**

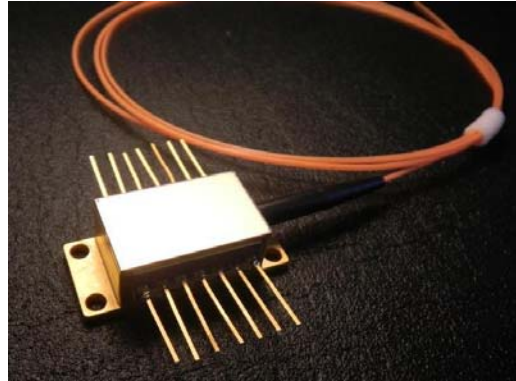
PARAMETER	SYMBOL	VALUE	UNIT
Reverse Voltage	$V_r$	2.0	V
Operating Temperature	$T_{op}$	+10 ~ +30	°C
Storage Temperature	$T_{stg}$	-40 ~ +85	°C
Lead soldering temperature (10 sec.)	$T_{is}$	260	°C

**Features:**

- 420nm
- 800mW Output Power
- Built-in TEC Cooling
- Built-in Photodiode
- High Stability

**Applications:**

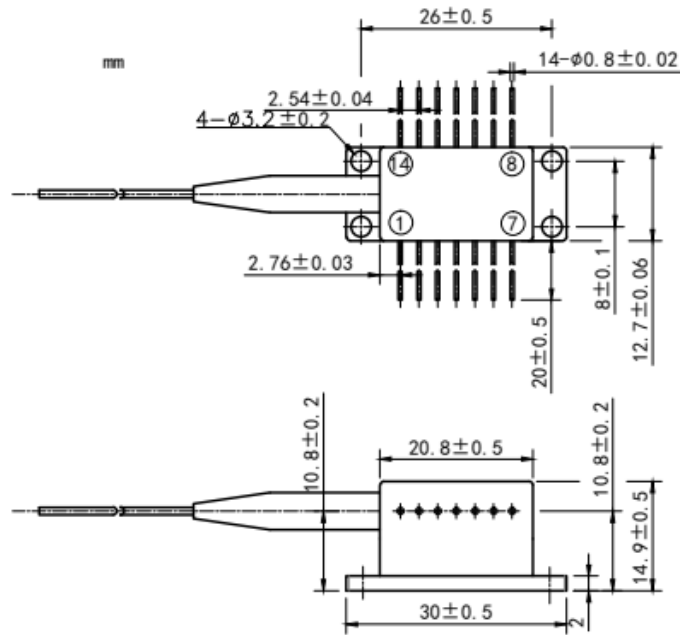
- Medical Laser Treatment
- Others


**Specifications**
**WSLX-420-800m-M-H14-T-PD**

	Min.	Type	Max.
Center Wavelength@25°C	420nm ± 10nm		
Spectral Width (FWHM)	----	2nm	----
Output Power	----	800mW	----
Recommend Operating Temperature	25 °C		
Threshold Current (Typ.)	----	150mA	300mA
Operating Current (Typ.)	----	650mA	700mA
Operating Voltage	----	4.5V	5.5V
TEC Max Current	2A		
TEC Max Voltage	8V		
Fiber Type	Multi-mode Fiber		
Fiber Core	105um (50um, 62.5um optional)		
Fiber Length	>80cm		
Connector Type	SMA905/FC		
Package	14-Pin		



### 14-Pin Package View



### Pin Out:

PIN	FUNCTION	PIN	FUNCTION
1	TEC(+)	14	TEC(-)
2	THERMISTOR	13	CASE
3	PD(+)	12	NC
4	PD(-)	11	LD(-)
5	THERMISTOR	10	LD(+)
6	NC	9	NC
7	NC	8	NC

Electrically shorten LD module and store in non-extreme conditions.

Suggest using the constant current power supply.

