


658nm~660nm 100mW High Power Fiber Coupled Diode Laser with SMF28 Fiber (9um Fiber core)

660nm 100mW Coaxial Pigtailed LD with 9um Fiber | Red Laser Module for Aiming Beam

WSLP-660-100m-9

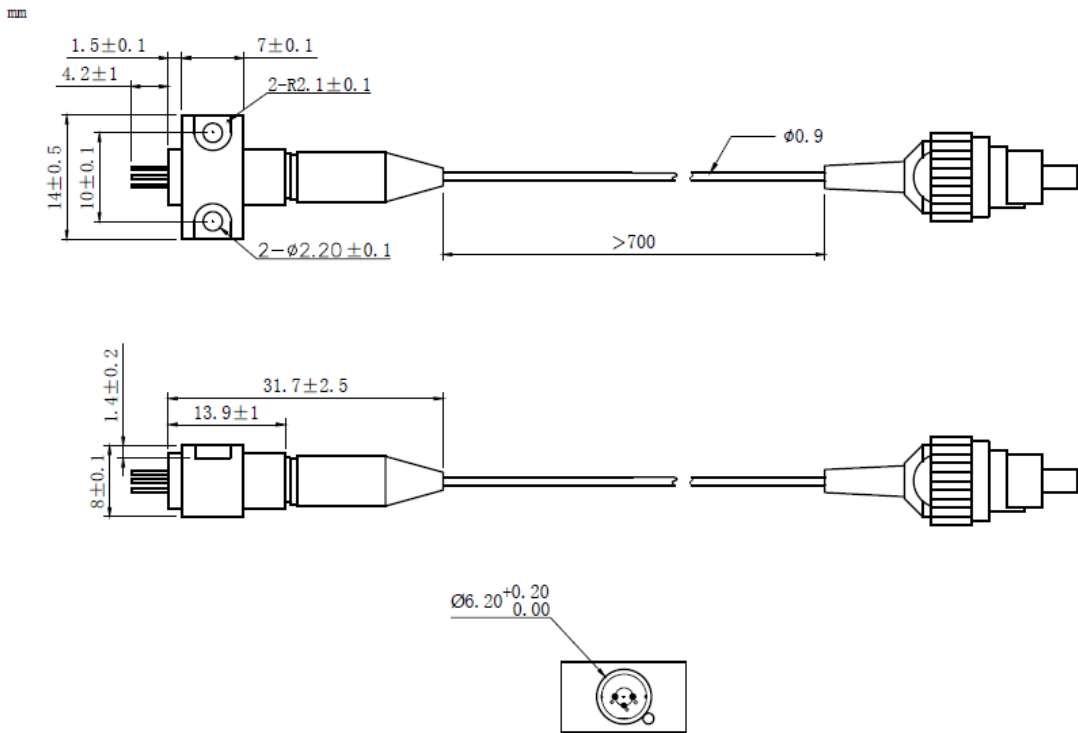
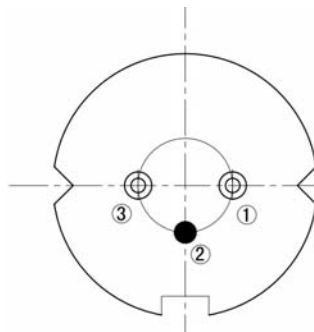
Wavespectrum Laser Group

www.wavespectrum-laser.com

660nm Pigtailed Diode Laser		100mW/9um		en.wavespectrum-laser.com.cn
PARAMETER	SYMBOL	VALUE	UNIT	
Reverse Voltage	$V_r$	2.0	V	
Operating Temperature	$T_{op}$	-10~+60	°C	
Storage Temperature	$T_{stg}$	-40~+85	°C	
Lead soldering temperature (10 sec.)	$T_{is}$	260	°C	
<b>Features:</b> <ul style="list-style-type: none"> <li>660nm</li> <li>With 9um Fiber</li> <li>Coaxial or B82 Package</li> </ul>				
<b>Applications:</b> <ul style="list-style-type: none"> <li>Medical Laser Treatment</li> <li>Other</li> </ul>				
<b>Specifications</b>	<b>WSLP-660-100m-9</b>			
	Min	Type	Max	
Center Wavelength@25°C	660nm±10nm			
Spectral Width (FWHM)	----	2.0nm	----	
Output Power	----	100mW	----	
Fiber Type	SMF-28			
Fiber Core	9um			
Recommended Operating Temperature	25°C			
Fiber Connector	FC/SC/SMA905			
Fiber Length	>80cm			
Threshold Current	----	55mA	85mA	
Operating Current	----	220mA	240mA	
Operating Voltage	----	2.8V	3.5V	
Package Style	Coaxial or B82			



**Coaxial Package View: (Part Number: WSLP-660-100m-9)**

**B82 Package View: (Part Number: WSLP-660-100m-9-B)**

**PIN Bottom View:**


<b>1</b>	<b>LD(+)</b>
<b>2</b>	<b>LD(-)</b>
<b>3</b>	<b>NC</b>



Electrically shorten LD module and store in non-extreme conditions.  
Suggest using the constant current power supply.

