
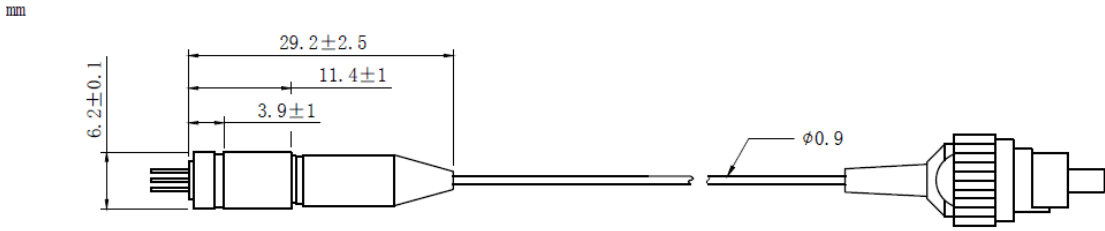


658nm~660nm 50mW SM Coaxial Pigtailed Laser Diode with 9um Fiber | Built-in Photodiodes (PD)
660nm 50mW 9um SM Fiber Coupled LD with Single Mode Fiber (SMF-28) |With PD
WSLP-660-050m-9-PD
Wavespectrum Laser Group
www.wavespectrum-laser.com

660nm Pigtailed Diode Laser		50mW/9um Fiber		en.wavespectrum-laser.com.cn	
PARAMETER	SYMBOL	VALUE		UNIT	
Reverse Voltage	V_r	2.0		V	
Operating Temperature	T_{op}	-10~+70		°C	
Storage Temperature	T_{stg}	-40~+85		°C	
Lead soldering temperature (10 sec.)	T_{is}	260		°C	
Features: <ul style="list-style-type: none"> ● 660nm ● 9um SM Fiber ● Coaxial or B82 Package ● Built-in PD 					
Applications: <ul style="list-style-type: none"> ● Medical Laser Treatment ● Others 					
Specifications	WSLP-660-050m-9-PD				
	Min	Type	Max		
Center Wavelength@25°C	650nm	660nm	670nm		
Recommend Operating Temperature	25°C				
Output Power	----	50mW	----		
Fiber Type	SMF-28				
Fiber Core	9um				
Monitor Current	----	0.3mA	----		
PD Reverse Voltage	----	----	30V		
Fiber Connector	FC/SC/SMA905				
Fiber Length	>80cm				
Threshold Current	----	45mA	65mA		
Operating Current	----	140mA	160mA		
Operating Voltage	----	2.5V	3.2V		
Package Style	Coaxial or B82				
Photodiodes	Built-in				



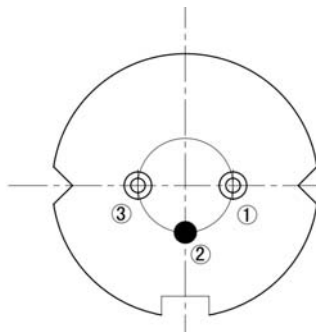
Coaxial Package View: (Part Number: WSLP-660-050m-9-PD)



B82 Package View: (Part Number: WSLP-660-050m-9-B-PD)



PIN Bottom View:



1	LD(-)
2	LD(+)&PD(-)
3	PD(+)



Electrically shorten LD module and store in non-extreme conditions.
Suggest using the constant current power supply.

