


488nm~492nm 20mW Coaxial Pigtailed Laser Diode with PMF | Blue Laser Module
485nm~488nm~490nm 20mW PM Fiber Coupled LD | 3um Polarization Maintaining (SM Fiber)
WSLP-488-020m-PM **Wavespectrum Laser Group** **www.wavespectrum-laser.com**

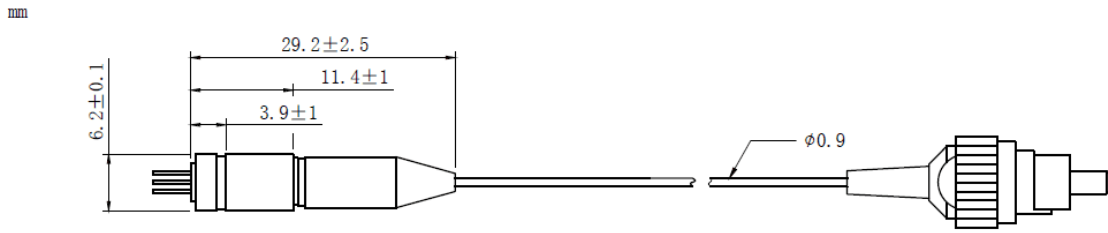
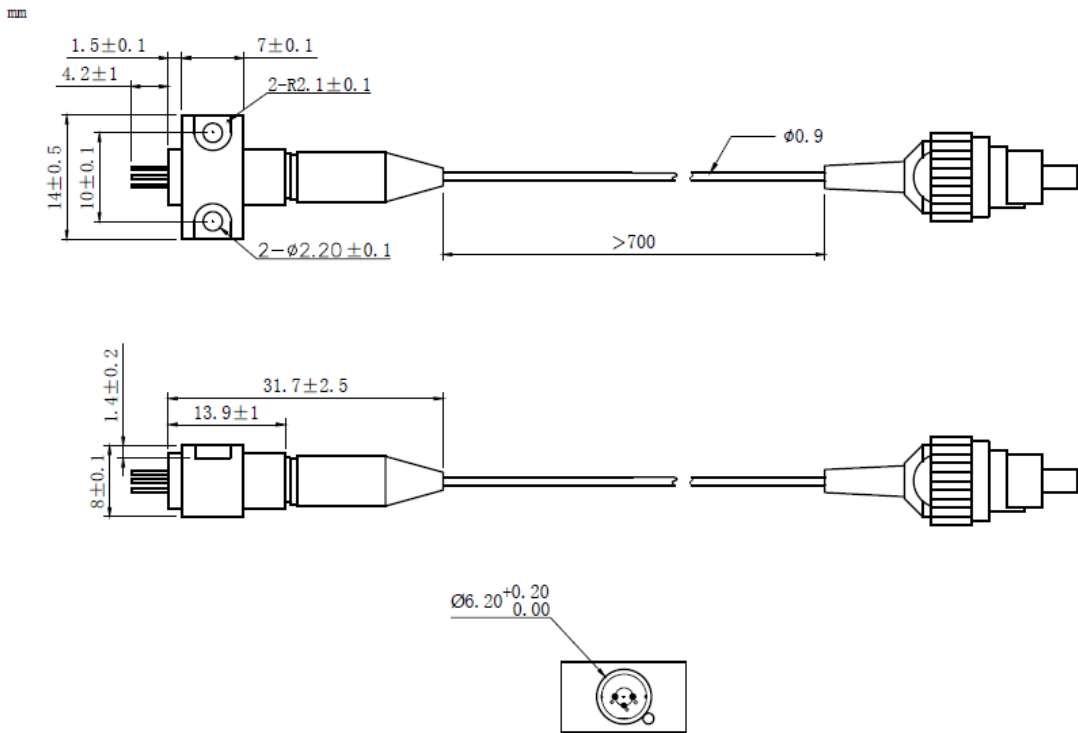
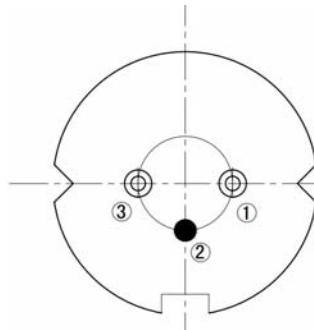
488nm Pigtailed Diode Laser **20mW/PMF** **en.wavespectrum-laser.com.cn**

PARAMETER	SYMBOL	VALUE	UNIT
Reverse Voltage	V_r	2.0	V
Operating Temperature	T_{op}	-10~+60	°C
Storage Temperature	T_{stg}	-40~+85	°C
Lead soldering temperature (10 sec.)	T_{is}	260	°C

Features: <ul style="list-style-type: none"> ● 488nm ● PM Fiber ● High Reliability ● High Polarization Extinction Ratio 	
Applications: <ul style="list-style-type: none"> ● Medical Laser Treatment ● Biotechnology ● Others 	

Specifications	WSLP-488-020m-PM		
	Min	Type	Max
Center Wavelength@25°C	480nm	488nm	495nm
Spectral Width (FWHM)	----	2.0nm	----
Output Power	----	20mW	----
Fiber Type	Polarization Maintaining Fiber		
Fiber Core	3um		
Recommend Operating Temperature	25°C		
Fiber Connector	FC/APC		
Polarization Extinction Ratio	13dB	15dB	
Fiber Length	----	80cm	100cm
Threshold Current	----	35mA	65mA
Operating Current	----	140mA	160mA
Operating Voltage	----	6.5V	8.0V
Package Style	Coaxial or B82		



Coaxial Package View: (Part Number: WSLP-488-020m-PM)

B82 Package View: (Part Number: WSLP-488-020m-PM-B)

PIN Bottom View:


1	LD(+)
2	GND
3	LD(-)



Electrically shorten LD module and store in non-extreme conditions.
Suggest using the constant current power supply.

