


375nm 100mW Fiber Coupled Diode Laser with MM Fiber | 105um UV Fiber
370nm~380nm 100mW Multi-mode Pigtailed Laser Diode Module | Coaxial Package | UV LD

WSLP-375-100m-M

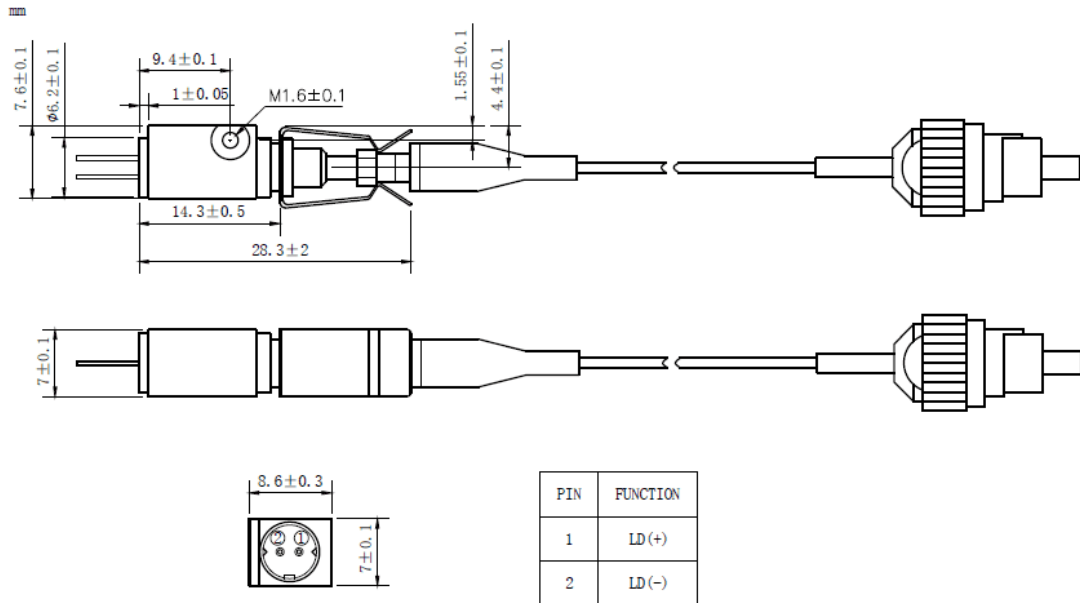
Wavespectrum Laser Group

www.wavespectrum-laser.com

375nm Pigtailed Diode Laser		100mW/MM Fiber		en.wavespectrum-laser.com.cn	
PARAMETER	SYMBOL	VALUE		UNIT	
Reverse Voltage	V_r	2.0		V	
Operating Temperature	T_{op}	+10 ~ +30		°C	
Storage Temperature	T_{stg}	-40 ~ +85		°C	
Lead soldering temperature (10 sec.)	T_{is}	260		°C	
Features: <ul style="list-style-type: none"> ● 375nm ● CW Mode ● Coaxial Package ● Fiber Receptacle Optional 					
Applications: <ul style="list-style-type: none"> ● Medical Laser Treatment ● Printing ● Others 					
Specifications	WSLP-375-100m-M				
	Min	Type	Max		
Center Wavelength@25°C	375nm±10nm				
Spectral Width (FWHM)	----	2.0nm	----		
Output Power	----	100mW	----		
Recommend Operating Temperature	25°C				
Fiber Type	UV Multi-mode Fiber				
Fiber Core	105um (50um, 200um Optional)				
Threshold Current (Typ.)	----	200mA	300mA		
Operating Current (Typ.)	----	300mA	400mA		
Operating Voltage	----	4.5V	5.5V		
Fiber Length	>80cm				
Fiber Connector	FC/SC/SMA905				
Package Style	Coaxial				



Package View:



Electrically shorten LD module and store in non-extreme conditions.

Suggest using the constant current power supply.

