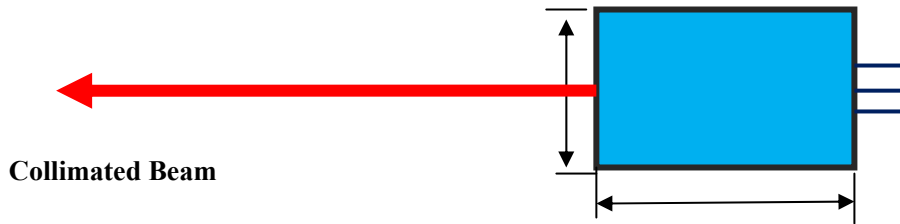


520nm Collimated Laser Diode Module | Single Mode LD| 50mw Output Power| Collimation Beam
532nm~520nm Green LD| Small Compact Package| Built-in PD Optional| Built-in TEC Cooling Optional
WSLM-520-050m-K **Wavespectrum Laser Group** **www.wavespectrum-laser.com**

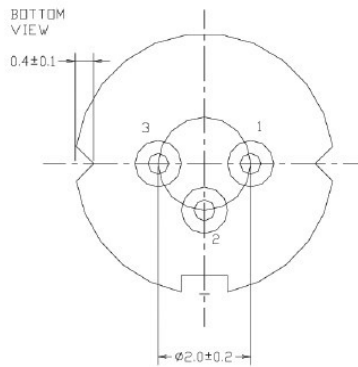
520nm Collimated Laser Diode		50mw		Wavespectrum Laser Group	
PARAMETER	SYMBOL	VALUE		UNIT	
Reverse Voltage	V_r	2.0		V	
Operating Temperature	T_{op}	10 ~ +70		°C	
Storage Temperature	T_{stg}	-40 ~ +85		°C	
Lead soldering temperature (10 sec.)	T_{is}	260		°C	
Features: <ul style="list-style-type: none"> ● 520nm Green Diode Laser ● Collimated Laser Beam ● Small Compact Package ● Excellent Beam Quality ● Built-in PD Optional ● Built-in TEC Cooling Optional 					
Specifications		WSLM-520-050m-K			
		Min	Type	Max	
Center Wavelength@25°C		515nm	520nm	530nm	
Output Power (CW Mode)		----	50mW	----	
Spatial Mode		Single Mode			
Lens Type		Aspheric Lens (with AR Coating)			
Beam Shape		Elliptical			
Beam Diameter @ Aperture		----	3mm \perp x 1.5mm \parallel	----	
Beam Divergence (Full Angle)		----	----	1mrad	
Recommend Operating Temperature		25 °C			
Monitor Current		----	----	----	
Threshold Current (Typ.)		----	60mA	110mA	
Operating Current (Typ.)		----	180mA	220mA	
Operating Voltage			7.2V	8.0V	
Housing Material		Aluminum			
Housing Dimensions		Customized			



Drawing



PIN Bottom View:



1	LD(+)
2	GND
3	LD(-)

Electrically shorten LD module and store in non-extreme conditions.
 Suggest using the constant current power supply.

