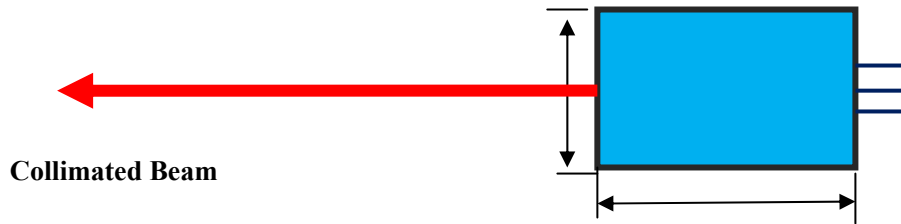


520nm Collimated Laser Diode Module | Single Mode LD| 30mw Output Power| Collimation Beam
 532nm~532nm Green LD| Small Compact Package| Built-in PD Optional| Built-in TEC Cooling Optional
 WSLM-520-030m-K Wavespectrum Laser Group www.wavespectrum-laser.com

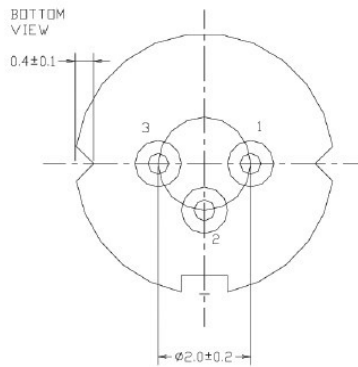
520nm Collimated Laser Diode 30mw		Wavespectrum Laser Group	
PARAMETER	SYMBOL	VALUE	UNIT
Reverse Voltage	V_r	2.0	V
Operating Temperature	T_{op}	0 ~ +60	°C
Storage Temperature	T_{stg}	-40 ~ +85	°C
Lead soldering temperature (10 sec.)	T_{is}	260	°C
Features: <ul style="list-style-type: none"> ● 520nm Green Diode Laser ● Collimated Laser Beam ● Small Compact Package ● Excellent Beam Quality ● Built-in PD Optional ● Built-in TEC Cooling Optional 			
Specifications		WSLM-520-030m-K	
	Min	Type	Max
Center Wavelength@25°C	510nm	520nm	530nm
Output Power (CW Mode)	----	30mW	----
Spatial Mode	Single Mode		
Lens Type	Aspheric Lens (with AR Coating)		
Beam Shape	Elliptical		
Beam Diameter @ Aperture	----	3mm _⊥ x 1.5mm _{//}	----
Beam Divergence (Full Angle)	----	----	1mrad
Recommend Operating Temperature	25 °C		
Monitor Current	----	----	----
Threshold Current (Typ.)	----	50mA	75mA
Operating Current (Typ.)	----	135mA	160mA
Operating Voltage		6.5V	8.0V
Housing Material	Aluminum		
Housing Dimensions	Customized		



Drawing



PIN Bottom View:



1	LD(+)
2	GND
3	LD(-)

Electrically shorten LD module and store in non-extreme conditions.
 Suggest using the constant current power supply.

