


1055nm 50mW SM Coaxial Pigtailed Laser Diode with SMF

1050nm~1055nm SM Fiber Coupled LD with Single Mode Fiber (SM Fiber)

WSLP-1055-050m-4-PD

Wavespectrum laser Group

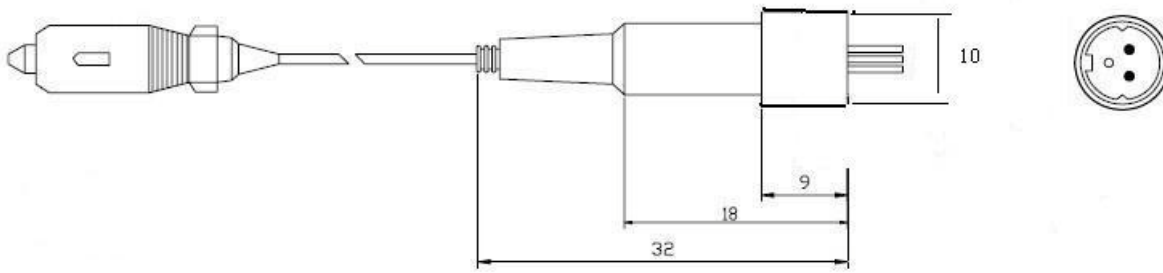
www.wavespectrum-laser.com

1055nm Pigtailed Diode Laser		50m W/SM Fiber		Wavespectrum Laser Group	
PARAMETER	SYMBOL	VALUE	UNIT		
Reverse Voltage	V_r	2.0	V		
Operating Temperature	T_{op}	-20 ~ +50	°C		
Storage Temperature	T_{stg}	-40 ~ +80	°C		
Lead soldering temperature (10 sec.)	T_{is}	250	°C		
Features: <ul style="list-style-type: none"> • 1055nm • Single Mode Fiber • Coaxial package • Built-in PD 					
Applications: <ul style="list-style-type: none"> • Medical laser treatment • Fiber Laser • Others 					
Specifications		WSLP-1055-050m-4-PD			
	Min	Type	Max		
Center Wavelength@25°C	1050nm	1055nm	1060nm		
Recommend Operating Temperature	25°C				
Output Power	----	50mw	----		
Fiber Type	Single Mode Fiber				
Fiber Core	6um				
Monitor Current	----	0.5mA	----		
PD Reverse Voltage	----	30V	----		
Fiber Connector	FC				
Fiber Length	----	80cm	100cm		
Threshold Current (Typ.)	----	35mA	75mA		
Operating Current (Typ.)	----	170mA	200mA		
Operating Voltage	----	1.5V	2.2V		
Package Style	Coaxial				
Photodiodes	Built-in				

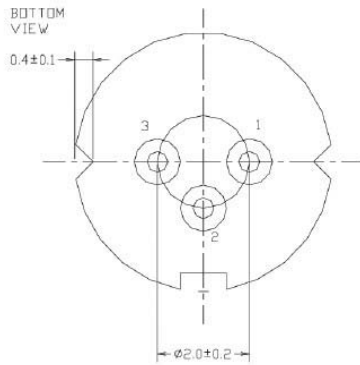


Coaxial Package View

Unit: mm



PIN Bottom View:



1	LD(+)
2	LD(-)&PD(+)
3	PD(-)

Electrically shorten LD module and store in non-extreme conditions.
 Suggest using the constant current power supply.



Wavespectrum Laser, Inc.
www.wavespectrum-laser.com
wavespectrumlaser@gmail.com

