


**905nm 50mW~60mW MM Coaxial Pigtailed Laser Diode LD with MM Fiber  
905nm Fiber Coupled LD with Multimode Fiber|50um 60um 105um MMF**

WSLP-905-050m-M-PD

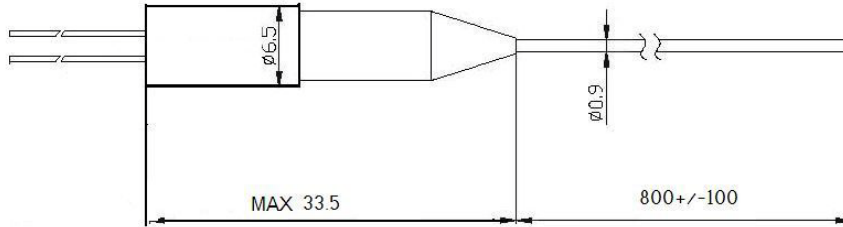
Wavespectrum Laser Group

www.wavespectrum-laser.com

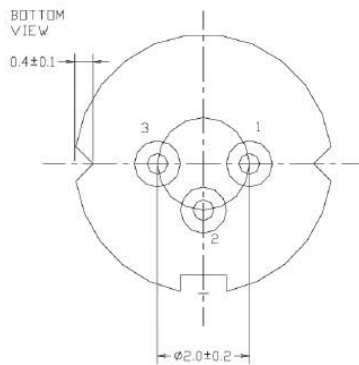
905nm Pigtailed Diode Laser		50mW/MM Fiber		Wavespectrum Laser, Inc	
PARAMETER	SYMBOL	VALUE	UNIT		
Reverse Voltage	$V_r$	2.0	V		
Operating Temperature	$T_{op}$	-20 ~ +50	°C		
Storage Temperature	$T_{stg}$	-40 ~ +80	°C		
Lead soldering temperature (10 sec.)	$T_{is}$	250	°C		
<b>Features:</b> <ul style="list-style-type: none"> <li>• 905nm</li> <li>• MM Fiber</li> <li>• Coaxial package</li> <li>• Built-in PD</li> </ul>					
<b>Applications:</b> <ul style="list-style-type: none"> <li>• Medical laser treatment</li> <li>• Communication</li> <li>• Others</li> </ul>					
<b>Specifications</b>	<b>WSLP-905-050m-M-PD</b>				
	Min	Type	Max		
Center Wavelength@25°C	+/-5nm	905nm	+/-15nm		
Spectral Width (FWHM)	----	0.5nm	2.0nm		
Output Power	----	50mW	----		
Fiber Core	62.5um (50um 105um Optional)				
Recommended Operating Temperature	25°C				
Monitor Current	----	0.1mA	----		
PD Reverse Voltage	----	30V	----		
Fiber Connector	FC (SMA905 Optional)				
Fiber Length	----	80cm	100cm		
Threshold Current (Typ.)	----	35mA	55mA		
Operating Current (Typ.)	----	135mA	165mA		
Operating Voltage	----	1.8V	2.3V		
Package Style	Coaxial				



**Coaxial Package View**



**PIN Bottom View:**



<b>1</b>	<b>LD(-)</b>
<b>2</b>	<b>LD(+)&amp;PD(-)</b>
<b>3</b>	<b>PD(+)</b>

Electrically shorten LD module and store in non-extreme conditions.  
Suggest using the constant current power supply.

