


## 850nm 5mW Coaxial Package Fiber Coupled Laser Diode (LD)

840nm~850nm Pigtail Laser Diode with MMF | Built-in PD | 50um 60um 105um MM Fiber

WSLP-850-005m-M-PD

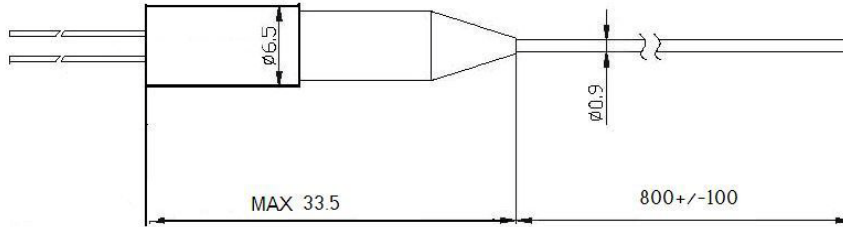
Wavespectrum Laser Group

www.wavespectrum-laser.com

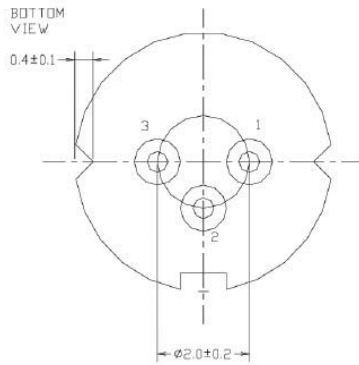
850nm Pigtailed Diode Laser		5mW/MM Fiber		Wavespectrum Laser, Inc	
PARAMETER	SYMBOL	VALUE	UNIT		
Reverse Voltage	$V_r$	2.0	V		
Operating Temperature	$T_{op}$	-10 ~ +60	°C		
Storage Temperature	$T_{stg}$	-40 ~ +85	°C		
Lead soldering temperature (10 sec.)	$T_{is}$	260	°C		
<b>Features:</b> <ul style="list-style-type: none"> <li>• 850nm</li> <li>• MM Fiber</li> <li>• Coaxial package</li> <li>• Built-in PD</li> </ul>					
<b>Applications:</b> <ul style="list-style-type: none"> <li>• Medical laser treatment</li> <li>• Others</li> </ul>					
<b>Specifications</b>	<b>WSLP-850-005m-M-PD</b>				
	Min	Type	Max		
Center Wavelength@25°C	830nm	850nm	855nm		
Spectral Width (FWHM)	----	2.0nm	----		
Output Power	----	5mW	----		
Fiber Core	62.5um (50um ,105um Optional)				
Recommend Operating Temperature	25°C				
Monitor Current	----	0.3mA	----		
PD Reverse Voltage	----	30V	----		
Fiber Connector	FC (SMA905 Optional)				
Fiber Length	----	80cm	100cm		
Threshold Current (Typ.)	----	17mA	23mA		
Operating Current (Typ.)	----	28mA	38mA		
Operating Voltage	----	1.7V	2.1V		
Package Style	Coaxial				



## Coaxial Package View



## PIN Bottom View:



<b>1</b>	<b>LD(-)</b>
<b>2</b>	<b>LD(+)&amp;PD(-)</b>
<b>3</b>	<b>PD(+)</b>

Electrically shorten LD module and store in non-extreme conditions.  
Suggest using the constant current power supply.



Wavespectrum Laser, Inc.  
www.wavespectrum-laser.com  
wavespectrumlaser@gmail.com

