


808nm~810nm 100mW~150mW Coaxial Pigtailed Laser Diode Module

808nm |150mw Output Power| Fiber Coupled LD |62.5um 105um MMF |Built-in PD

WSLP-808-150m-M-PD

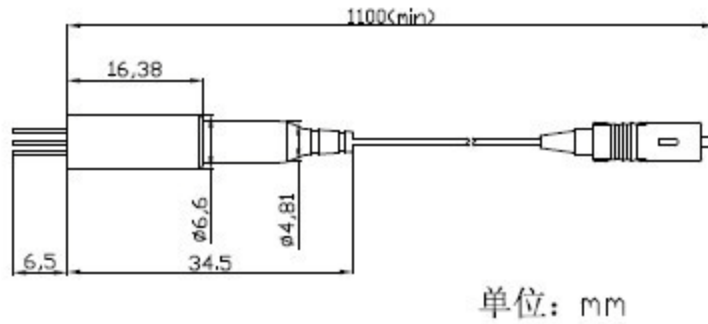
Wavespectrum Laser Group

www.wavespectrum-laser.com

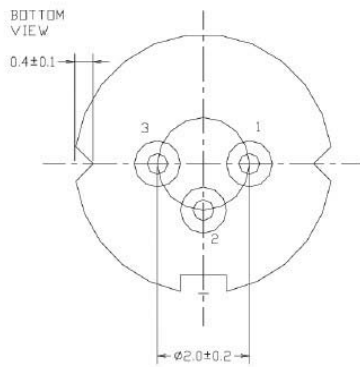
808nm Pigtailed Diode Laser		150mW/MM Fiber		Wavespectrum Laser, Inc	
PARAMETER	SYMBOL	VALUE	UNIT		
Reverse Voltage	V_r	2.0	V		
Operating Temperature	T_{op}	-10 ~ +45	°C		
Storage Temperature	T_{stg}	-40 ~ +85	°C		
Lead soldering temperature (10 sec.)	T_{is}	260	°C		
Features: <ul style="list-style-type: none"> 808nm MM Fiber Coaxial package Built-in PD 					
Applications: <ul style="list-style-type: none"> Medical laser treatment Others 					
Specifications	WSLP-808-150m-M-PD				
	Min	Type	Max		
Center Wavelength@25°C	805nm	808nm	811nm		
Spectral Width (FWHM)	----	2.0nm	3.0nm		
Output Power	----	150mW	----		
Fiber Core	62.5um (105um Optional)				
Slope Efficiency	0.95mW/mA	1.0mW/mA	1.10mW/mA		
Monitor Current	----	0.3mA	----		
PD Reverse Voltage	----	30V	----		
Fiber Connector	FC				
Fiber Length	----	80cm	100cm		
Threshold Current (Typ.)	----	50mA	60mA		
Operating Current (Typ.)	----	300mA	350mA		
Operating Voltage	----	1.8V	2.3V		
Package Style	Coaxial				
Recommended Operating Temperature	25°C				



Coaxial Package View



PIN Bottom View:



1	LD(-)
2	LD(+)&PD(-)
3	PD(+)

Electrically shorten LD module and store in non-extreme conditions.
Suggest using the constant current power supply.

