


780nm 5mw Pigtail Laser Diode Module with MMF

780nm~785nm MM Fiber Coupled LD with Coaxial Package | Built-in PD | 50um 60um 105um Fiber

WSLP-785-005m-M-PD

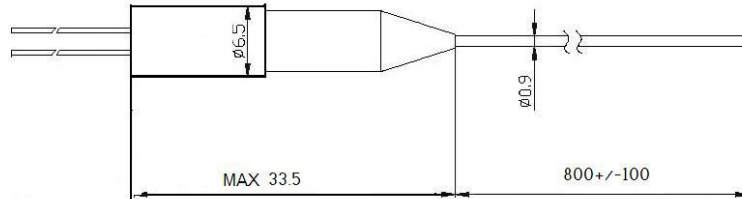
Wavespectrum Laser Group

www.wavespectrum-laser.com

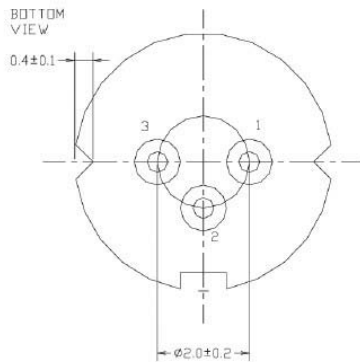
785nm Pigtailed Diode Laser		5mW/MM Fiber		Wavespectrum Laser, Inc	
PARAMETER	SYMBOL	VALUE	UNIT		
Reverse Voltage	V_r	2.0	V		
Operating Temperature	T_{op}	-10 ~ +50	°C		
Storage Temperature	T_{stg}	-40 ~ +85	°C		
Lead soldering temperature (10 sec.)	T_{is}	260	°C		
Features: <ul style="list-style-type: none"> 785nm MM Fiber Coaxial package Built-in PD 					
Applications: <ul style="list-style-type: none"> Medical laser treatment Others 					
Specifications	WSLP-785-005m-M-PD				
	Min	Type	Max		
Center Wavelength@25°C	775nm	785nm	795nm		
Spectral Width (FWHM)	----	2.0nm	----		
Output Power	----	5mw	----		
Fiber Core	62.5um (50um 105um Optional)				
Monitor Current	0.1mA	0.25mA	0.6mA		
PD Reverse Voltage	----	30V	----		
Fiber Connector	FC				
Fiber Length	----	80cm	100cm		
Threshold Current (Typ.)	----	30mA	50mA		
Operating Current (Typ.)	----	80mA	----		
Operating Voltage	----	2.0V	2.8V		
Package Style	Coaxial				
Recommended Operating Temperature	25°C				



Coaxial Package View



PIN Bottom View:



1	LD(-)
2	LD(+)&PD(-)
3	PD(+)

Electrically shorten LD module and store in non-extreme conditions.
Suggest using the constant current power supply.



Wavespectrum Laser, Inc.
www.wavespectrum-laser.com
wavespectrumlaser@gmail.com

