

532nm 20mW Fiber Coupled Laser Module

532nm |Coaxial Package Pigtailed Green Laser| 50um 60um Fiber Core

WSLP -532-020m-M-PD

Wavespectrum Laser Group

www.wavespectrum-laser.com

PARAMETER	SYMBOL	VALUE	UNIT
Reverse Voltage	V_r	2.0	V
Operating Temperature	T_{op}	+10 ~ +30	°C
Storage Temperature	T_{stg}	-20 ~ +80	°C
Lead soldering temperature (10 sec.)	T_{is}	260	°C

Features:

- 532nm
- Built-in PD
- TEC Cooling Optional

Applications:

- Medical laser treatment
- Others



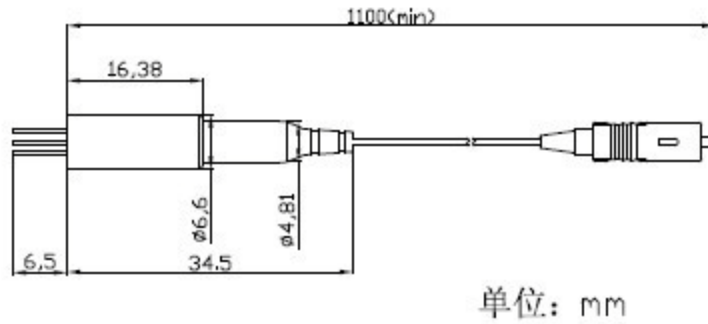
Specifications

WSLP-532-020m-M-PD

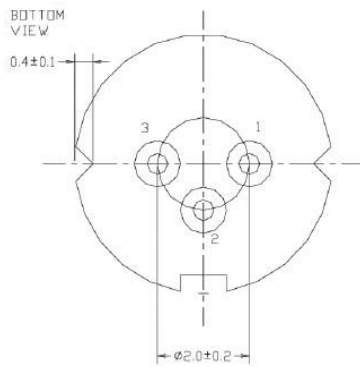
	Min.	Type	Max.
Center Wavelength@25°C	----	532nm	----
Spectral Width (FWHM)	----	3nm	----
Output Power	----	20mW	----
Recommend Operating Temperature	20 °C		
Threshold Current (Typ.)	----	150mA	----
Operating Current (Typ.)	----	400mA	----
Operating Voltage		2V	
TEC Cooling	Optional		
Fiber Core Diameter	50um (105um 200um 400um Optional)		
Fiber Numerical Aperture	0.22		
Fiber Length	100cm		
Connector Type	SMA905/FC		



Coaxial Package View



PIN Bottom View:



1	LD(-)
2	LD(+)& PD(-)
3	PD(+)

Electrically shorten LD module and store in non-extreme conditions.
Suggest using the constant current power supply.

