

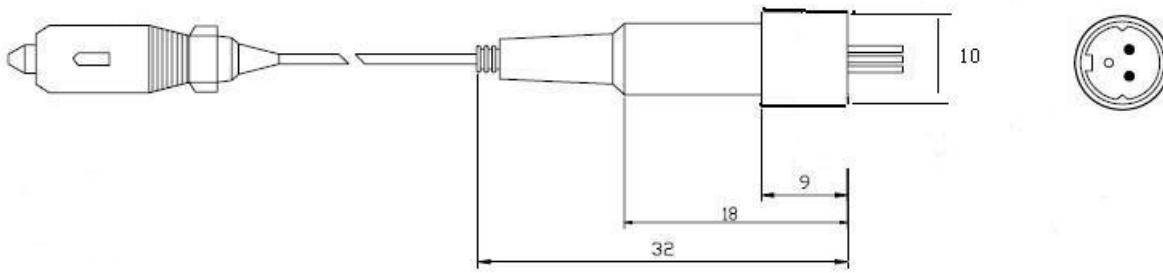
1064nm 20mw~30mW SM Coaxial Pigtailed Laser Diode with SMF
1060nm~1064nm SM Fiber Coupled LD with Single Mode Fiber (SM Fiber)
WSLP-1064-030m-4-PD
Wavespectrum laser Group
www.wavespectrum-laser.com

1064nm Pigtailed Diode Laser		30m W/SM Fiber		Wavespectrum Laser, Inc	
PARAMETER	SYMBOL	VALUE		UNIT	
Reverse Voltage	V_r	2.0		V	
Operating Temperature	T_{op}	-20 ~ +50		°C	
Storage Temperature	T_{stg}	-40 ~ +80		°C	
Lead soldering temperature (10 sec.)	T_{is}	250		°C	
Features: <ul style="list-style-type: none"> • 1064nm • Single Mode Fiber • Coaxial package • Built-in PD 					
Applications: <ul style="list-style-type: none"> • Medical laser treatment • Fiber Laser • Others 					
Specifications		WSLP-1064-030m-4-PD			
		Min	Type	Max	
Center Wavelength@25°C		1052nm	1064nm	1069nm	
Recommend Operating Temperature		25°C			
Output Power		20mw	30mw	----	
Fiber Type		Single Mode Fiber			
Fiber Core		6um			
Monitor Current		----	0.5mA	----	
PD Reverse Voltage		----	30V	----	
Fiber Connector		FC			
Fiber Length		----	80cm	100cm	
Threshold Current (Typ.)		----	35mA	75mA	
Operating Current (Typ.)		----	170mA	200mA	
Operating Voltage		----	1.5V	2.2V	
Package Style		Coaxial			
Photodiodes		Built-in			

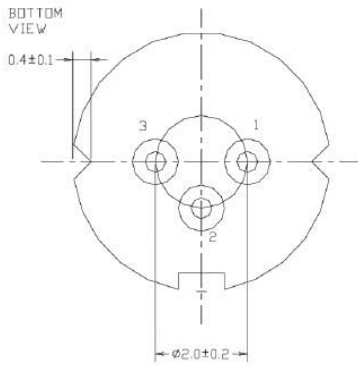


Coaxial Package View

Unit: mm



PIN Bottom View:



1	LD(+)
2	LD(-)&PD(+)
3	PD(-)

Electrically shorten LD module and store in non-extreme conditions.
 Suggest using the constant current power supply.



Wavespectrum Laser, Inc.
www.wavespectrum-laser.com
wavespectrumlaser@gmail.com

