

880nm 1mw~2mw SM Coaxial Pigtailed Laser Diode with SMF

870nm~880nm SM Fiber Coupled LD with Single Mode Fiber (SM Fiber)

WSLP-880-001m-4-PD

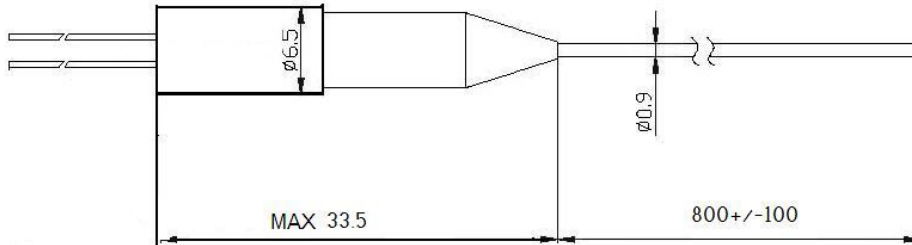
Wavespectrum Laser Group

www.wavespectrum-laser.com

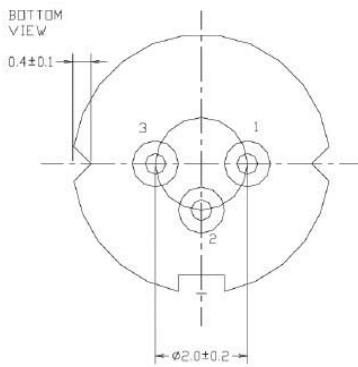
880nm Pigtailed Diode Laser		1mW/SM Fiber		Wavespectrum Laser, Inc	
PARAMETER	SYMBOL	VALUE		UNIT	
Reverse Voltage	$V_r$	2.0		V	
Operating Temperature	$T_{op}$	-10~+60		°C	
Storage Temperature	$T_{stg}$	-20 ~ +85		°C	
Lead soldering temperature (5 sec.)	$T_{is}$	250		°C	
<b>Features:</b> <ul style="list-style-type: none"> <li>• 880nm</li> <li>• SM Fiber</li> <li>• Coaxial package</li> <li>• Built-in PD</li> </ul>					
<b>Applications:</b> <ul style="list-style-type: none"> <li>• Medical laser treatment</li> <li>• Sensor</li> <li>• Others</li> </ul>					
<b>Specifications</b>		<b>WSLP-880-001m-4-PD</b>			
		Min	Type	Max	
Center Wavelength@25°C		870nm	880nm	890nm	
Recommend Operating Temperature		25°C			
Output Power		1mw	1.5mw	----	
Fiber Type		Single Mode Fiber			
Fiber Core		5um			
Monitor Current		----	0.25mA	0.55mA	
PD Reverse Voltage		----	30V	----	
Fiber Connector		FC			
Fiber Length		----	80cm	100cm	
Threshold Current (Typ.)		----	10mA	18mA	
Operating Current (Typ.)		----	30mA	35mA	
Operating Voltage		----	2.2V	2.4V	
Package Style		Coaxial			
Photodiodes		Built-in			



**Coaxial Package View**



**PIN Bottom View:**



<b>1</b>	<b>LD(-)</b>
<b>2</b>	<b>LD(+)&amp;PD(-)</b>
<b>3</b>	<b>PD(+)</b>

Electrically shorten LD module and store in non-extreme conditions.  
Suggest using the constant current power supply.



Wavespectrum Laser, Inc.  
www.wavespectrum-laser.com  
wavespectrumlaser@gmail.com

