
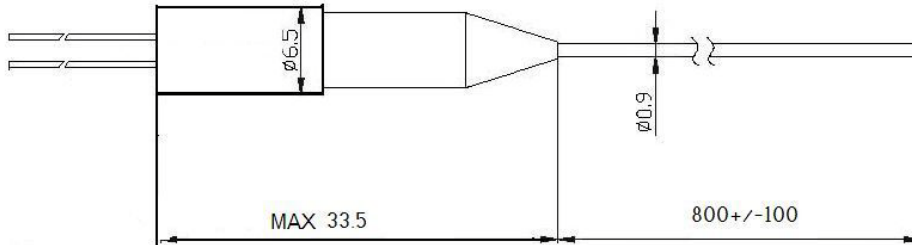


850nm 1mw~2mw SM Coaxial Pigtailed Laser Diode with SMF
850nm SM Fiber Coupled LD with Single Mode Fiber (SM Fiber)
WSLP-850-001m-4-PD
Wavespectrum Laser Group
www.wavespectrum-laser.com

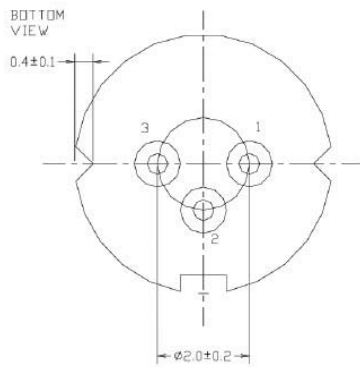
850nm Pigtailed Diode Laser		1mW/SM Fiber		Wavespectrum Laser, Inc	
PARAMETER	SYMBOL	VALUE		UNIT	
Reverse Voltage	V_r	2.0		V	
Operating Temperature	T_{op}	-10 ~ +60		°C	
Storage Temperature	T_{stg}	-20 ~ +85		°C	
Lead soldering temperature (5 sec.)	T_{is}	250		°C	
Features: <ul style="list-style-type: none"> • 850nm • SM Fiber • Coaxial package • Built-in PD 					
Applications: <ul style="list-style-type: none"> • Medical laser treatment • Sensor • Others 					
Specifications		WSLP-850-001m-4-PD			
	Min	Type	Max		
Center Wavelength@25°C	835nm	845nm	855nm		
Recommend Operating Temperature	25°C				
Output Power	1mw	1.5mw	----		
Fiber Type	Single Mode Fiber				
Fiber Core	5um				
Monitor Current	----	0.1mA	----		
PD Reverse Voltage	----	30V	----		
Fiber Connector	FC				
Fiber Length	----	80cm	100cm		
Threshold Current (Typ.)	----	15mA	25mA		
Operating Current (Typ.)	----	32mA	38mA		
Operating Voltage	----	1.8V	2.2V		
Package Style	Coaxial				
Photodiodes	Built-in				



Coaxial Package View



PIN Bottom View:



1	LD(-)
2	LD(+)&PD(-)
3	PD(+)

Electrically shorten LD module and store in non-extreme conditions.
Suggest using the constant current power supply.



Wavespectrum Laser, Inc.
www.wavespectrum-laser.com
wavespectrumlaser@gmail.com

