
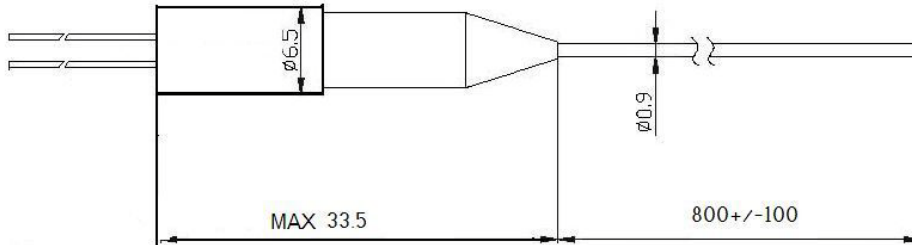


808nm 50mw SM Pigtailed Laser Diode with PMF
808nm~810nm SM Fiber Coupled LD with Polarization Maintaining Fiber (PM Fiber)
WSLP-808-050m-PM-PD
Wavespectrum Laser Group
www.wavespectrum-laser.com

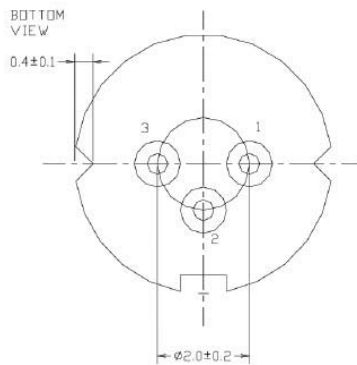
808nm Pigtailed Diode Laser		50mW/PM Fiber		Wavespectrum Laser, Inc	
PARAMETER	SYMBOL	VALUE	UNIT		
Reverse Voltage	V_r	2.0	V		
Operating Temperature	T_{op}	-10~+60	°C		
Storage Temperature	T_{stg}	-40 ~ +80	°C		
Lead soldering temperature (10 sec.)	T_{is}	260	°C		
Features: <ul style="list-style-type: none"> • 808nm • PM Fiber • Coaxial package • Built-in PD 					
Applications: <ul style="list-style-type: none"> • Medical laser treatment • Sensor • Others 					
Specifications		WSLP-808-050m-PM-PD			
	Min	Type	Max		
Center Wavelength@25°C	+/-3nm	808nm	+/-10nm		
Recommend Operating Temperature	25°C				
Output Power	----	50mw	----		
Fiber Type	PMFiber				
Fiber Core	5um				
Monitor Current	----	0.2mA	0.5mA		
PD Reverse Voltage	----	30V	----		
Fiber Connector	FC				
Fiber Length	----	80cm	100cm		
Threshold Current (Typ.)	----	30mA	40mA		
Operating Current (Typ.)	----	150mA	180mA		
Operating Voltage	----	1.9V	2.3V		
Package Style	Coaxial				
Photodiode	Built-in				



Coaxial Package View



PIN Bottom View:



1	LD(-)
2	LD(+)&PD(-)
3	PD(+)

Electrically shorten LD module and store in non-extreme conditions.
Suggest using the constant current power supply.



Wavespectrum Laser, Inc.
www.wavespectrum-laser.com
wavespectrumlaser@gmail.com

