

880nm Collimated Laser Diode Module | Single Mode LD| 10mw Output Power| Collimation Beam

870nm~880nm IR LD| Small Compact Package| Built-in PD| Built-in TEC Cooling Optional

WSLM-880-010m-K

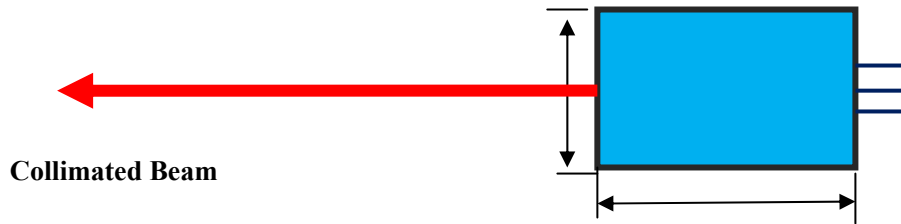
Wavespectrum Laser, Inc.

www.wavespectrum-laser.com

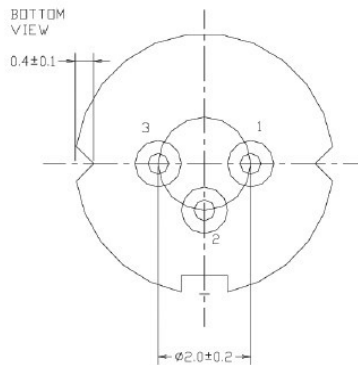
880nm Collimated Laser Diode		10mw		Wavespectrum Laser, Inc	
PARAMETER	SYMBOL	VALUE		UNIT	
Reverse Voltage	$V_r$	2.0		V	
Operating Temperature	$T_{op}$	-10~+60		°C	
Storage Temperature	$T_{stg}$	-10 ~ +85		°C	
Lead soldering temperature (10 sec.)	$T_{is}$	260		°C	
<b>Features:</b> <ul style="list-style-type: none"> <li>● 880nm</li> <li>● Collimated Laser Beam</li> <li>● Small Compact Package</li> <li>● Excellent Beam Quality</li> <li>● Built-in PD</li> <li>● Built-in TEC Cooling Optional</li> </ul>					
<b>Specifications</b>		<b>WSLM-880-010m-K</b>			
		<b>Min</b>	<b>Type</b>	<b>Max</b>	
Center Wavelength@25°C		870nm	880nm	890nm	
Output Power (CW Mode)		10mw			
Spatial Mode		Single Mode			
Lens Type		Aspheric Lens (with AR Coating)			
Beam Shape		Elliptical			
Beam Diameter @ Aperture		----	5mm <sub>L</sub> x 1.5mm <sub>//</sub>	----	
Beam Divergence (Full Angle)		----	----	1mrad	
Recommend Operating Temperature		25 °C			
Monitor Current		0.2mA	----	0.6mA	
Threshold Current (Typ.)		----	10mA	15mA	
Operating Current (Typ.)		----	30mA	40mA	
Operating Voltage		----	2.2V	2.5V	
Housing Material		Aluminum			
Housing Dimensions		Customized			



## Drawing



### PIN Bottom View:



<b>1</b>	<b>LD(-)</b>
<b>2</b>	<b>LD(+)&amp;PD(-)</b>
<b>3</b>	<b>PD(+)</b>

Electrically shorten LD module and store in non-extreme conditions.  
 Suggest using the constant current power supply.

