

785nm Collimated Laser Diode Module | Single Mode LD| 100mw Output Power| Collimation Beam

780nm~785nm LD| Small Compact Package| Built-in PD| Built-in TEC Cooling Optional

WSLM-785-100m-K

Wavespectrum Laser, Inc.

www.wavespectrum-laser.com

785nm Collimated Laser Diode	100mw	Wavespectrum Laser, Inc	
------------------------------	-------	-------------------------	--

PARAMETER	SYMBOL	VALUE	UNIT
Reverse Voltage	$V_r$	2.0	V
Operating Temperature	$T_{op}$	-10 ~ +70	°C
Storage Temperature	$T_{stg}$	-40 ~ +85	°C
Lead soldering temperature (10 sec.)	$T_{is}$	260	°C

**Features:**

- 🔦 785nm
- 🔦 CW/Pulsed Mode
- 🔦 Collimated Laser Beam
- 🔦 Small Compact Package
- 🔦 Excellent Beam Quality
- 🔦 Built-in PD
- 🔦 Built-in TEC Cooling Optional



**Specifications**

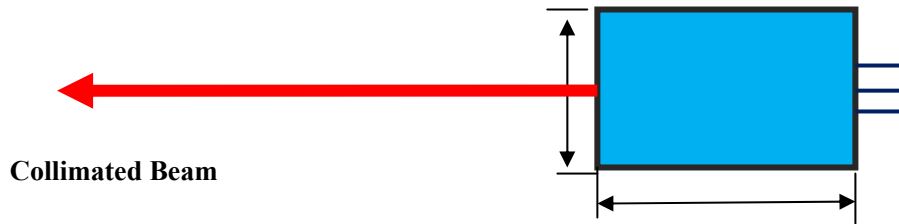
**WSLM-785-100m-K**

		Min	Type	Max
Center Wavelength@25°C		775nm	785nm	795nm
Output Power	(CW Mode)	----	100mW	----
	(Pulsed Mode)	----	200mW	----
		Pulse Width: 500ns , Duty: 50%		
Spatial Mode		Single Mode		
Lens Type		Aspheric Lens (with AR Coating)		
Beam Shape		Elliptical		
Beam Diameter @ Aperture		----	3mm <sub>L</sub> x 1.5mm <sub>∥</sub>	----
Beam Divergence (Full Angle)		----	----	1mrad
Recommend Operating Temperature		25 °C		
Monitor Current		----	0.2mA	0.7mA
Threshold Current (Typ.)		----	30mA	50mA
Operating Current (Typ.)		----	125mA	160mA
Operating Voltage		----	2.0V	2.3V
Housing Material		Aluminum		
Housing Dimensions		Customized		

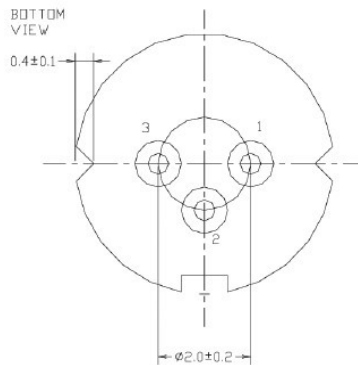
Wavespectrum Laser, Inc.  
www.wavespectrum-laser.com  
wavespectrumlaser@gmail.com



## Drawing



### PIN Bottom View:



1	LD(-)
2	LD(+)&PD(-)
3	PD(+)

Electrically shorten LD module and store in non-extreme conditions.  
 Suggest using the constant current power supply.

