

940nm 2W Fiber Coupled Laser Diode (LD) Module with 650nm Red Pilot Beam | Single Fiber Output
2W@940nm+1mW@650nm| Dual-Wavelength | 650nm Red Aiming Beam| PD |TEC Cooling|105um 200um Fiber
WSLX-940-002-H-A **Wavespectrum Laser Group** **www.wavespectrum-laser.com**

| PARAMETER | SYMBOL | VALUE | UNIT |
|--------------------------------------|-----------|-----------|------|
| Reverse Voltage | V_r | 2.0 | V |
| Operating Temperature | T_{op} | +10~+30 | °C |
| Storage Temperature | T_{stg} | -20 ~ +80 | °C |
| Lead soldering temperature (10 sec.) | T_{is} | 260 | °C |

Features:

- 940nm
- Single Fiber Output
- With 650nm Red Aiming Beam
- 4-pin/9-pin Package Optional
- Photodiodes Optional
- TEC Cooling Optional

Applications:

- Medical laser treatment
- Others



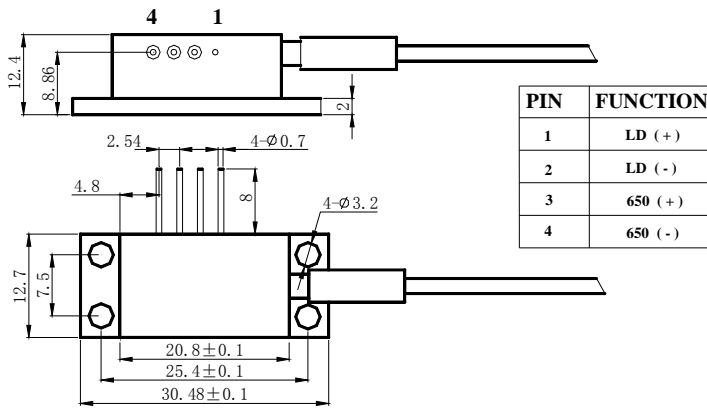
Specifications

WSLX-940-002-H-A

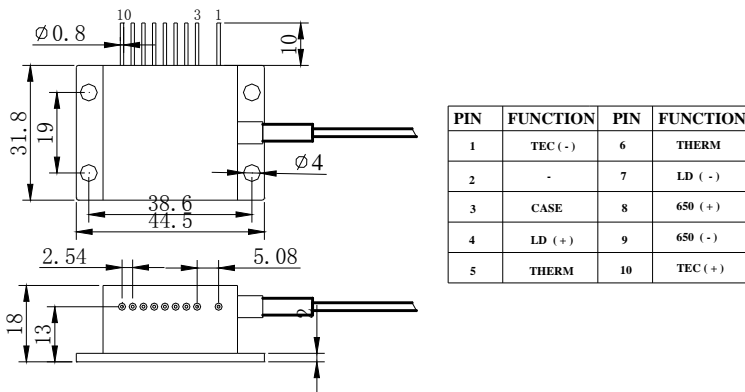
| | | | |
|---------------------------------------|---------------------------------|-------|-------|
| Center Wavelength@25°C | ±3nm | 940nm | ±10nm |
| Spectral Width (FWHM) | 1nm | ---- | 3nm |
| Output Power | ---- | 2W | ---- |
| Temperature Coefficient of Wavelength | 0.3nm / °C | | |
| Threshold Current (Typ.) | 450mA | | |
| Operating Current (Typ.) | 3.2A | | |
| Operating Voltage | 2.0V | | |
| Recommended Case Temperature | 25°C | | |
| Red Aiming Beam | 1mw@650nm | | |
| TEC Cooler | Optional | | |
| Photodiodes | Optional | | |
| Fiber Core | 200um (105um or 400um Optional) | | |
| Fiber Length | 80cm | | |
| Fiber Connector | SMA905/ST/FC | | |
| Package Style | 4-pin, 9-pin | | |



4-PIN Package View



9-PIN HHL Package View



If you need the **TEC Cooling** and **PD (Photodiodes)** for this device, you can choose the **14-PIN Butterfly** Package or **9-PIN HHL** Package as the Standard Package. Contact us with info@wavespectrum-laser.com

Wavespectrum offer Customized 940nm Fiber Coupled Laser Diode Module:

- **Fiber Detachable** Package Laser Module (Red Aiming Beam Optional)
- **Single Fiber Output** Laser Module (Red Aiming Beam Optional)
- **Dual-Wavelength** or **Tri-Wavelength** Laser Module (such as 6w@940nm+6w@808nm+2mw@650nm)



Wavespectrum Laser, Inc.
www.wavespectrum-laser.com
wavespectrumlaser@gmail.com

