

976nm~980nm 100mW Receptacle LD (Laser Diode) Module

980nm MM Fiber Receptacle Laser Diode

WSLR-980-100m-M-PD

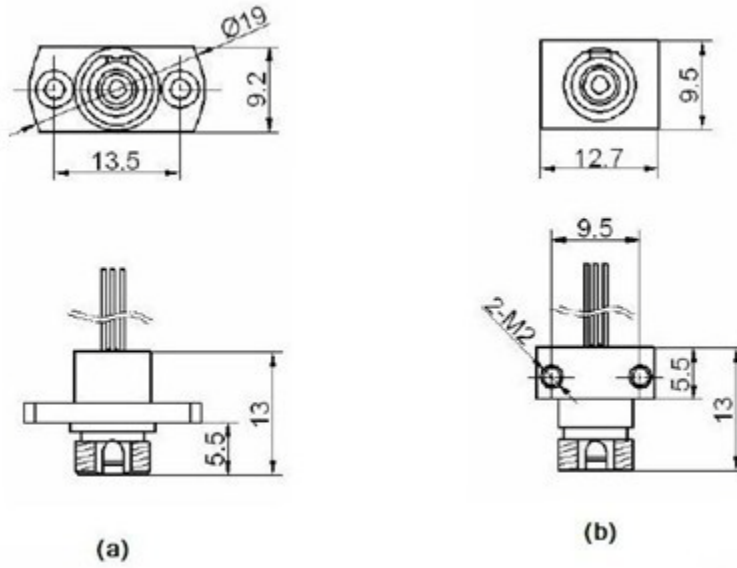
Wavespectrum laser inc.

www.wavespectrum-laser.com

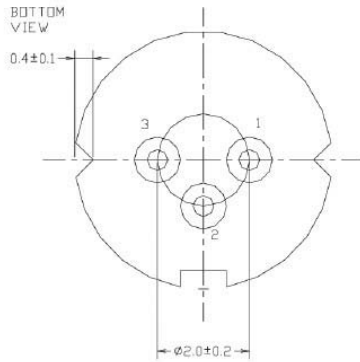
980nm Receptacle Diode Laser		100mW	Wavespectrum Laser, Inc	
PARAMETER	SYMBOL	VALUE	UNIT	
Reverse Voltage	V_r	2.0	V	
Operating Temperature	T_{op}	-10 ~ +40	°C	
Storage Temperature	T_{stg}	-40 ~ +85	°C	
Lead soldering temperature (10 sec.)	T_{is}	260	°C	
Features: <ul style="list-style-type: none"> 980nm Receptacle Package Built-in PD 				
Applications: <ul style="list-style-type: none"> Medical laser treatment Others 				
Specifications	WSLR-980-100m-M-PD			
	Min	Type	Max	
Center Wavelength@25°C	970nm	980nm	990nm	
Spectral Width (FWHM)	----	2.0nm	3.0nm	
Optical Fiber Output Power (After Fiber)	----	100mW	----	
Fiber Specification	62.5um , 105um Fiber Core			
	0.22 N.A.			
Slope Efficiency	0.8mW/mA	0.9mW/mA	----	
Monitor Current	----	2000uA	----	
PD Reverse Voltage	----	30V	----	
Ferrule Type	FC			
Other Customized Ferrule Type	ST, SC			
Threshold Current (Typ.)	----	55mA	----	
Operating Current (Typ.)	----	350mA	----	
Operating Voltage	----	1.9V	2.2V	
Package Style	Receptacle			
Recommended Operating Temperature	25°C			



FC Connector Receptacle Package View



PIN Bottom View:



1	LD(-)
2	LD(+)&PD(-)
3	PD(+)

Electrically shorten LD module and store in non-extreme conditions.

Suggest using the constant current power supply.

